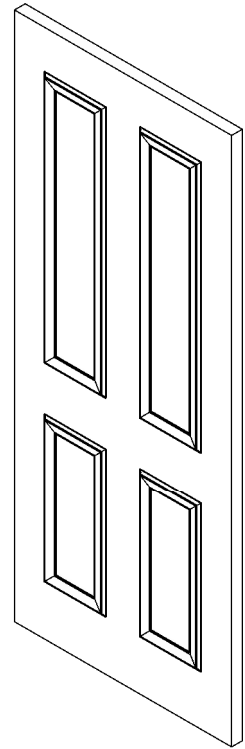


NOTE

This panel only comes in two sizes:
 810 x 1980mm (** stile size 113mm)
 860 x 1980mm (** stile size 138mm)



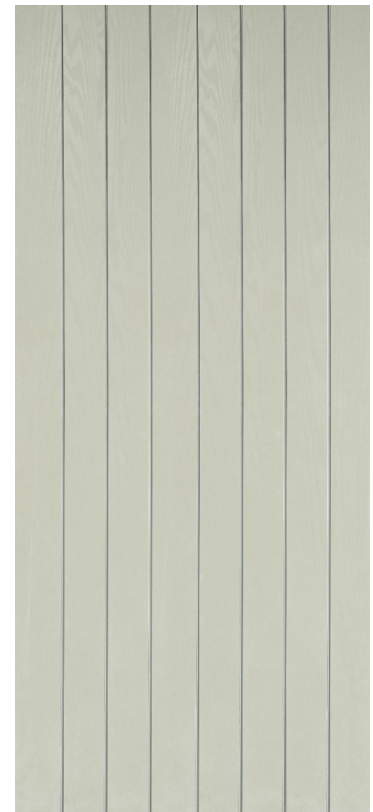
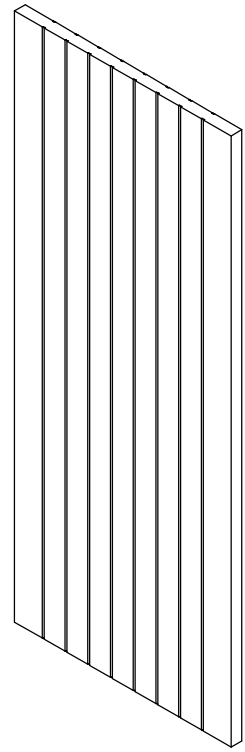
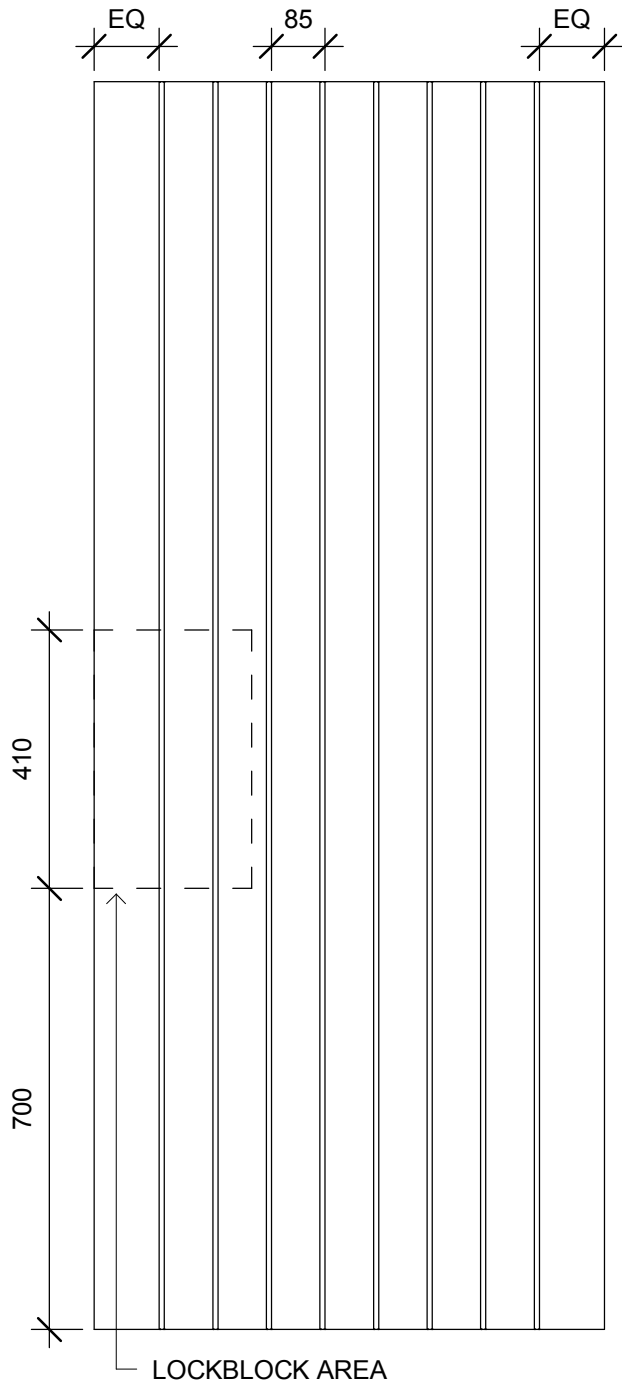
- Panel thickness = 40mm
- Panels are made with solid fibreglass edges and polyfoam resin insulated core.
- For our full warranty details refer to our website.
- Can be hung in any type of aluminium or timber jamb/frame, by others.
- These drawings and pictures are representations of the panel only - detail not exact.

Range: Fibreglass
 Type: Fibreglass
 Version: 1.0

Code: **F4**



www.parkwooddoors.co.nz
www.parkwooddoors.com.au



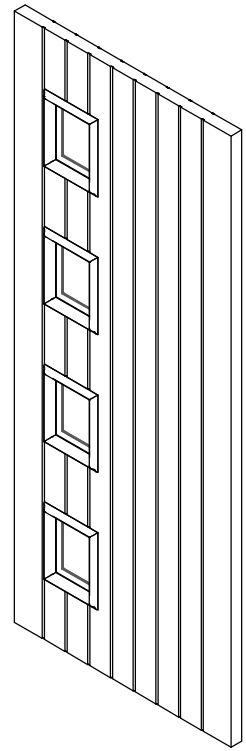
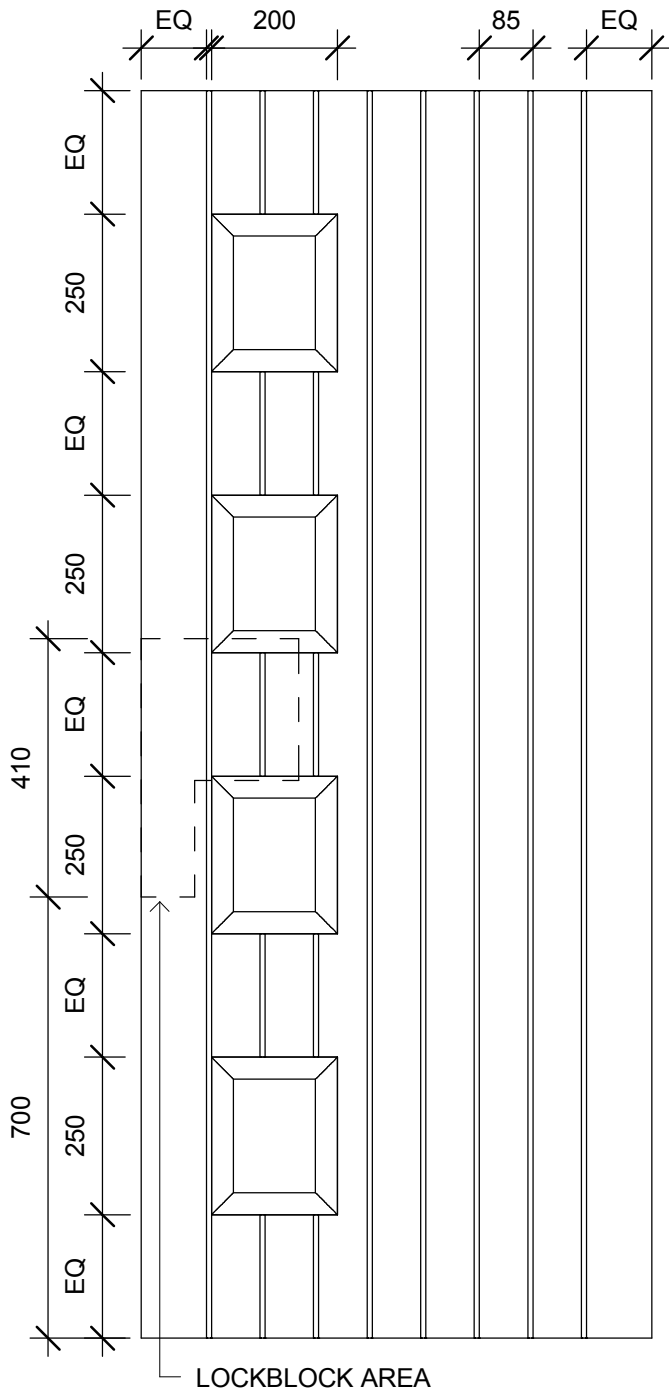
- Panel thickness = 40mm
- Woodgrain or smooth finish
- Woodgrain panel can be made any size up to 2400 x 900mm or 2200 x 1060mm.
- Smooth panel can be made any size up to 2400 x 900mm.
- Minimum door size is 1940 x 735mm.
- Panels are made with solid fibreglass edges and polyfoam resin insulated core.
- For our full warranty details refer to our website.
- Can be hung in any type of aluminium or timber jamb/frame, by others.
- These drawings and pictures are representations of the panel only - detail not exact.

Range: Fibreglass
 Type: Fibreglass
 Version: 1.0

Code: FV



www.parkwooddoors.co.nz
www.parkwooddoors.com.au



- Panel thickness = 40mm
- Woodgrain or smooth finish with double glazed clear or etchlite glass.
- Woodgrain panel can be made any size up to 2400 x 900mm or 2200 x 1060mm.
- Smooth panel can be made any size up to 2400 x 900mm.
- Minimum door size is 1940 x 735mm.
- Panels are made with solid fibreglass edges and polyfoam resin insulated core.
- For our full warranty details refer to our website.
- Can be hung in any type of aluminium or timber jamb/frame, by others.
- These drawings and pictures are representations of the panel only - detail not exact.

Range: Fibreglass

Type: Fibreglass

Version: 1.0

Code: FVAR11



www.parkwooddoors.co.nz
www.parkwooddoors.com.au