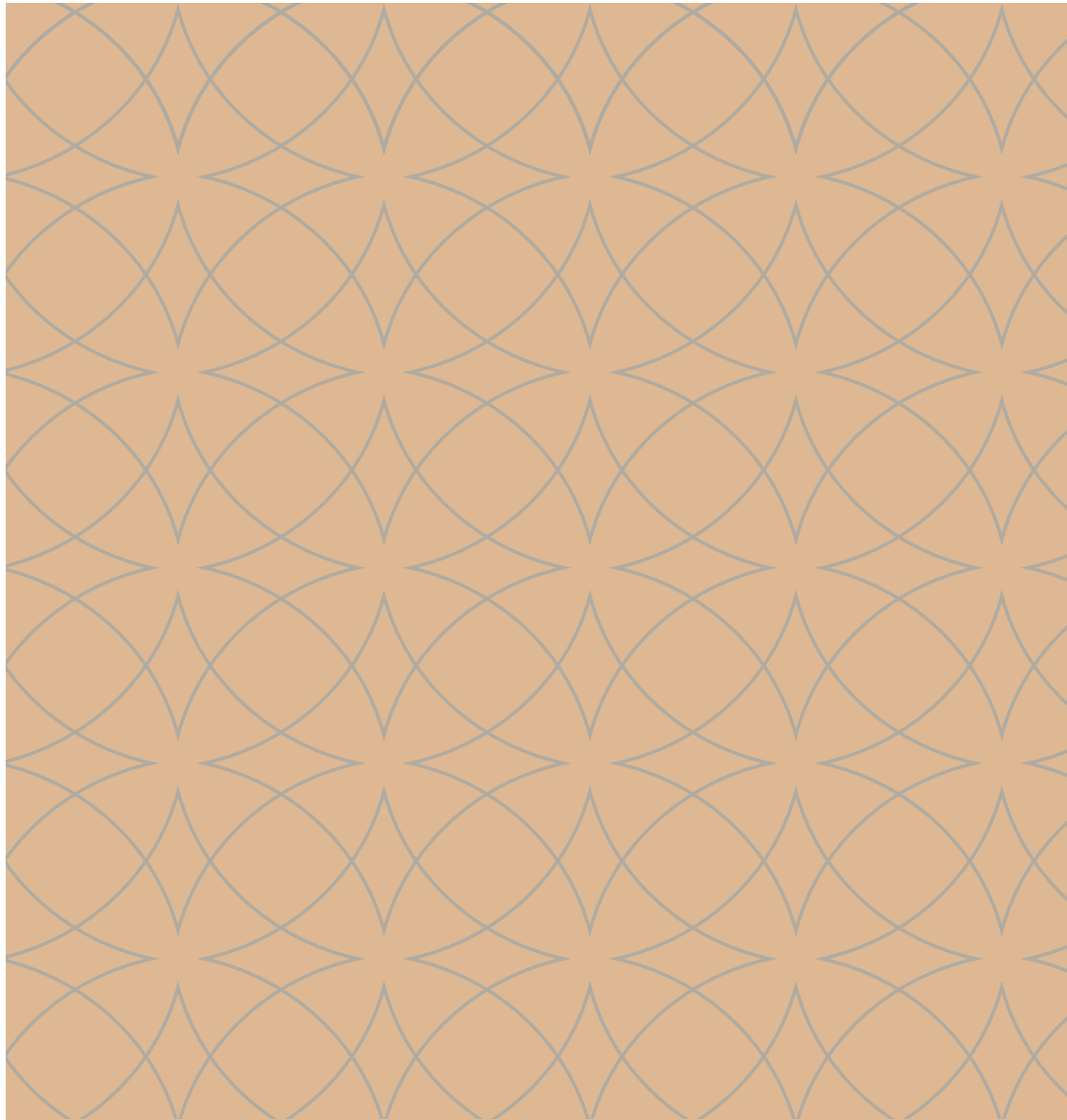


MIMOSA 3x3 PORTSEA GAZEBO

ASSEMBLY GUIDE AND
OPERATING INSTRUCTIONS





MIMOSA 3x3 PORTSEA GAZEBO

WARRANTY CONDITIONS

Any claim under this warranty must be made within 3 years of the date of purchase of the product. To make a claim under the warranty, take the product (with proof of purchase) to any Bunnings store (see www.bunnings.com.au for store locations) or contact Gale Pacific.

Gale Pacific bears reasonable, direct, expenses of claiming under the warranty.

You may submit details and proof to Gale Pacific for consideration. The warranty covers manufacturer defects in materials, workmanship and finish under normal use.

This warranty is provided in addition to other rights and remedies you may have under law: our goods come with guarantees which cannot be excluded under the Australian Consumer Law or Consumer Guarantees Act 1993 (NZ). You are entitled to replacement or refund for a major failure and to compensation for other reasonably foreseeable loss or damage. You are also entitled to have the goods repaired or replaced if the goods fail to be of acceptable quality and the failure does not amount to a major failure.

The warranty excludes damage resulting from product misuse or product neglect.

The warranty covers domestic use only and does not apply to commercial applications.

This warranty is given by Gale Pacific, ABN 80 082 263 778, 145 Woodlands Dr Braeside Vic 3195, 1800 331 521, galepacific.com
New Zealand #: 0800 555 171

WARRANTY EXCLUSIONS

Fading due to weather exposure or damage to the frame and fabric through accident, misuse or negligence. Your gazebo is a non-permanent structure. Always ensure the gazebo is properly weighted down. Damage caused by not following the instructions will void your warranty.



MIMOSA 3x3 PORTSEA GAZEBO

Make the most of your outdoor living area with your very own Mimosa 3 x 3 Portsea Gazebo. Relax and enjoy the outdoors while being protected from the sun.

The Mimosa powder coated aluminium frame 3 x 3 Portsea Gazebo is perfect for shading your garden, deck, courtyard or swimming pool.

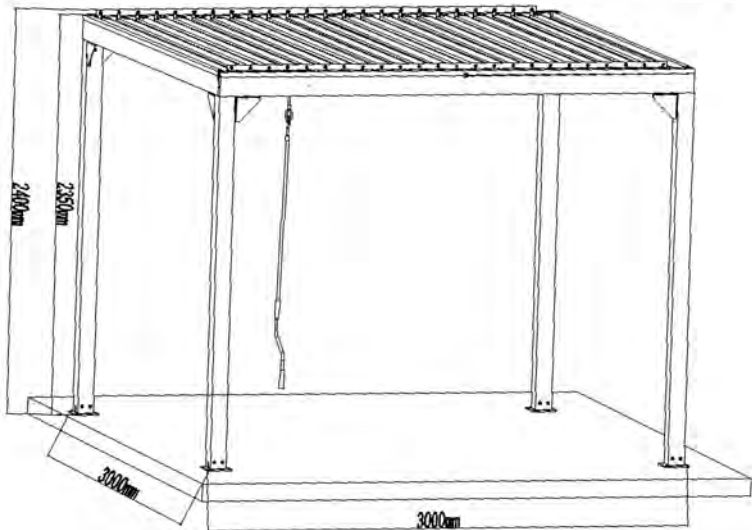
IMPORTANT

This structure is a non-permanent structure and the warranty does not cover damage incurred under extreme weather conditions including heavy rain, high winds or if exposed to high heat from heaters or BBQs.

Safety precautions should always be followed when assembling and using this product to reduce the risk of personal injury and damage to equipment.

Please read all instructions before assembly and use. Never leave children unattended around/under this Gazebo.

Do not attempt to assemble or use the Gazebo in moderate or heavy wind conditions. Always open the Gazebo and secure it during heavy winds or extreme weather conditions to avoid damage to the gazebo or personal injury.





























MIMOSA 3x3 PORTSEA GAZEBO

PARTS LIST

Please check all parts against the parts list before commencing construction of Gazebo.

1	 x1 Hand Crank	9	 x8 Corner brace	A	 x1 Beam with Pivot bushing
2	 x2 Strengthen pivot pin	10	 x4 Gutter connector	B	 x1 Beam with Gear and Pivot bushing
3	 x1 Gear Pivot pin	11	 x4 Base Plate	C	 x2 Beam
4	 x4 L Connector	12	 x16 MBX100 Expansion Bolt	D1	 x2 Post+Post Connector
5	 x2 M10 Screw Cap	13	 x16 MBX20 Countersunk screw	D2	 x2 Post+Post Connector
6	 x128 MBx20 Hexagon Bolt			E	 x2 Short Gutter
7	 x48 Plastic Spacer			F	 x2 Long Gutter
8	 x48 Locking Nut			G	 x22 Common Louvre
				H	 x1 Centre Louvre
				I	 x1 Driving Louvre
				J	 x2 Control Rod

RECOMMENDED ADDITIONAL TOOLS:

- Utility Knife
- Electric Drill
- 5mm Hex bit, 150mm long
- Adjustable wrench 200mm
- Ladder






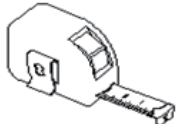


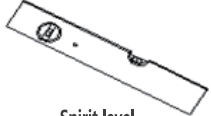

MIMOSA 3x3 PORTSEA GAZEBO

BEFORE YOU START INSTALLING...

Confirm all parts have been supplied

Make sure you have all the tools required to install

Please make sure you are wearing closed toe shoes and installing in a safe environment

 <p>>1.5m x 2</p> <p>Ladder</p>	 <p>M10/13 Open wrench supplied</p>	 <p>Rubber mallet</p>
 <p>Tape measure</p>	 <p>5mm Hexagon wrench supplied</p>	 <p>Pencil</p>
 <p>Spirit level</p>	 <p>Electric drill</p>	

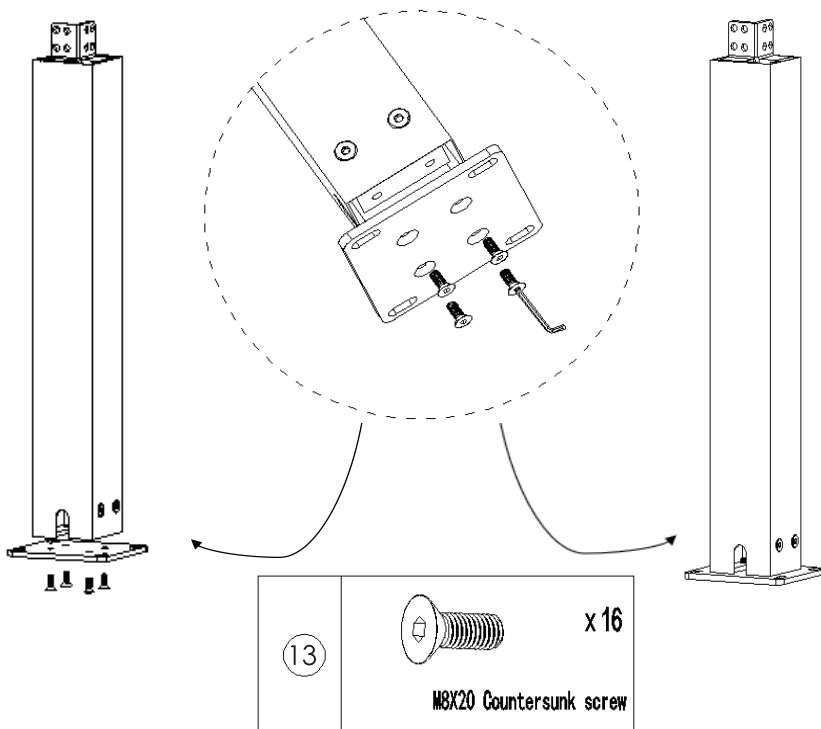
Installation Time: 2 Hours, Recommended to install with a minimum of 3 people



MIMOSA 3x3 PORTSEA GAZEBO

Step 1

Attach base plates (Item 11) to the bottom of the posts (Item D1 and D2)
Use bolts (Item 13) x 4 to attach with hex key or drill





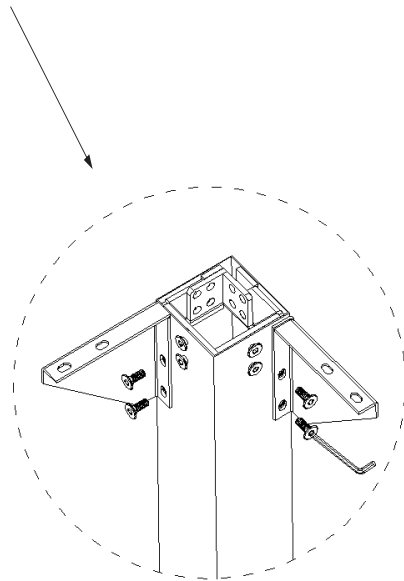
MIMOSA 3x3 PORTSEA GAZEBO

Step 2

Attach Corner Brace (Item 9) to the post (Item D1 and D2) using bolts (Item 6) x 4

Repeat this for each post

The top of each post should now look like this



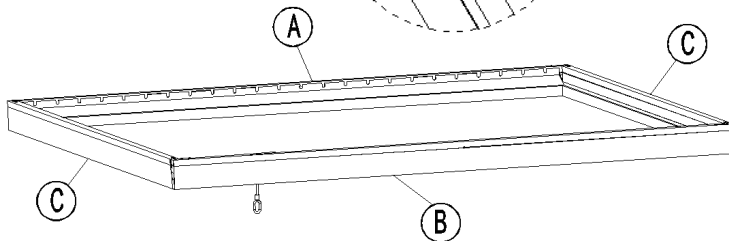
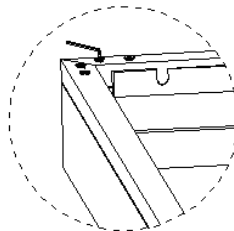
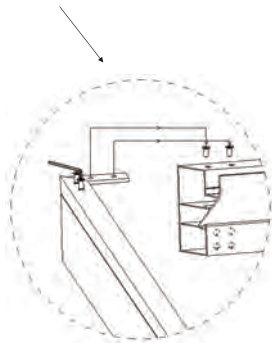


MIMOSA 3x3 PORTSEA GAZEBO

Step 3

Arrange beams according to diagram below.

Slide L Connector (item 4) into beam and secure with bolts (Item 6) x 4





MIMOSA 3x3 PORTSEA GAZEBO

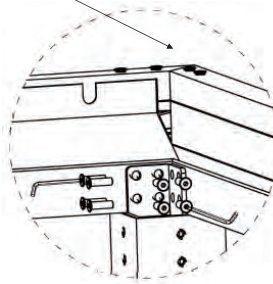
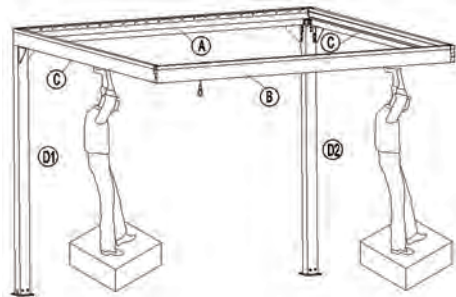
Step 4

Caution – This step will require minimum 3 people. Will also require a ladder.

Tilt Frame as pictured

Insert two Posts so bracket is inside the frame. Using bolts (Item 6) x 8 attach the post to beam

Repeat step for second post





MIMOSA 3x3 PORTSEA GAZEBO

Step 4 cont.

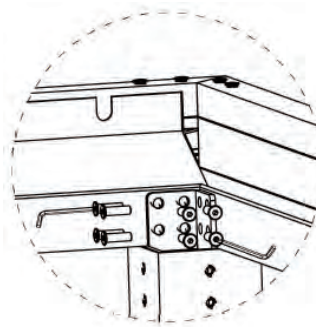
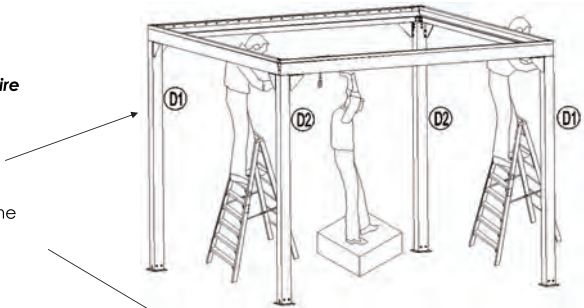
Caution – This step will require minimum 3 people. Will also require a ladder.

Stand Frame up as pictured

Insert 2 Posts so bracket is inside the frame. Using bolts (Item 6) x 8 attach the post to beam

Repeat for second post

D1 and D2 posts should be installed diagonally.

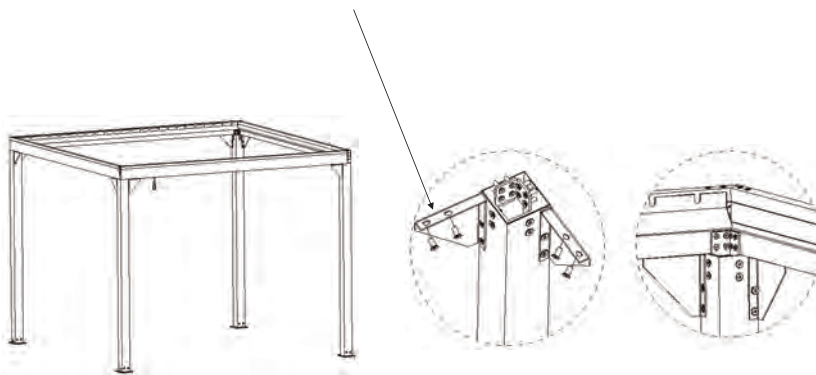




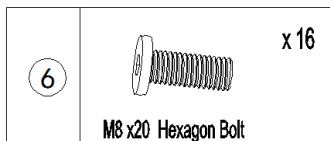
MIMOSA 3x3 PORTSEA GAZEBO

Step 4 cont.

At each corner using bolts (Item 6) x 4 fix the Corner Brace (Item 9) to the beams.



NOTE: Make sure all 4 posts are level as the gutters are a snug fit. You may be required to loosen bolts for brackets in order to fit gutters. If you do, remember to re-tighten before continuing.

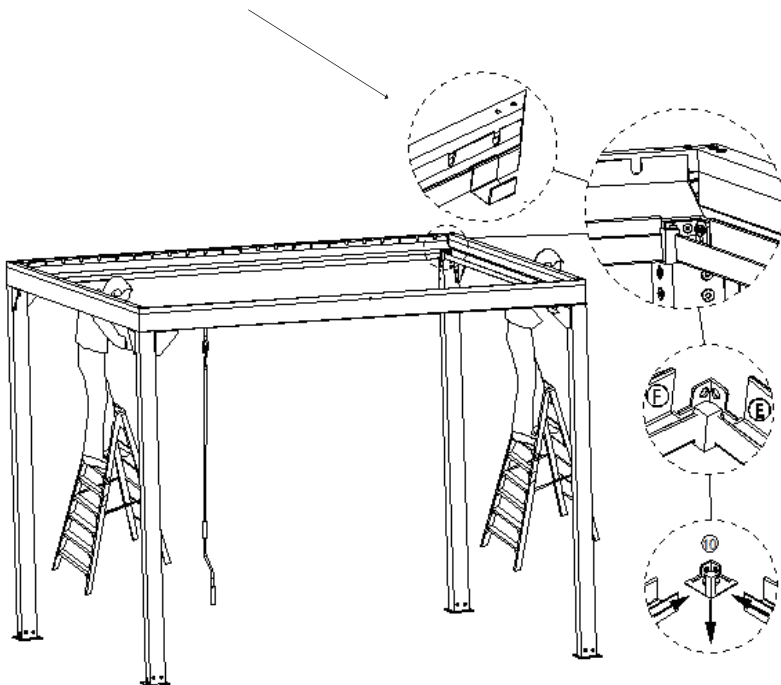




MIMOSA 3x3 PORTSEA GAZEBO

Step 5

Attach all four gutters(E x2 and F x2) by hooking inside the frame with gutter connectors (Item 10).



E x2	F x2	10 x4
Materials will be used		



MIMOSA 3x3 PORTSEA GAZEBO

Step 6

Locate holes in centre of beams (Item A & B).

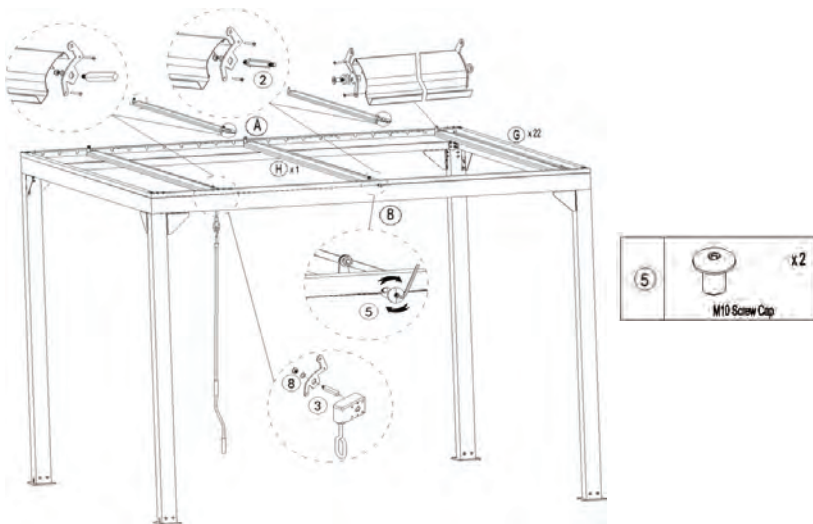
Place Centre Louvre (Item H) into the U shape cut out , lining up with the holes.

Using M10 Nut (Item 5) x 2, secure the Louvre in place .

Place Driving Louvre (Item I) in line with the gear box on the beam (Item B). The Square fixing at the end of driving louvre (Item I) goes into the gear box on the beam (Item B).

Fit all Common Louvres (Item G) x 22 into the remaining slots in the beams (Item A and B) .

Ensure to use washers where show below.





MIMOSA 3x3 PORTSEA GAZEBO

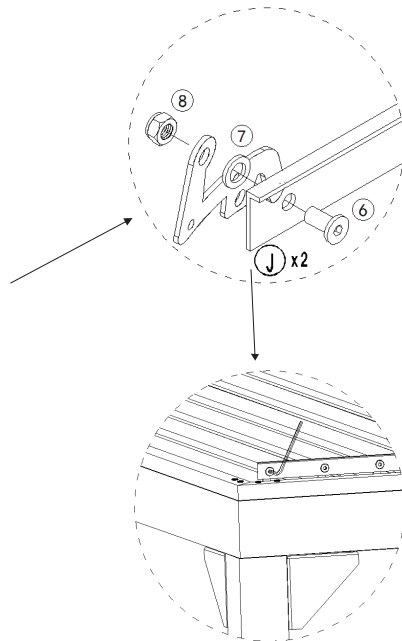
Step 7



Locate Control Rod (Item J) x 2 (Flat L shaped metal bar). One is required for each end of the louvres

Using Nut (Item 6), Bolt (Item 8) and plastic Spacer (Item 7) , secure the louvres at each end .

NOTE: Do not over tighten, finger tight is adequate. Over tightening will prevent louvres from moving .

Locate and install Hand crank (Item 1) onto drive assembly on beam (Item B) .



6		x 48
M6 x20 Hexagon Bolt		
7		x 48
Plastic Spacer		
8		x 48
Locking Nut		



MIMOSA 3x3 PORTSEA GAZEBO

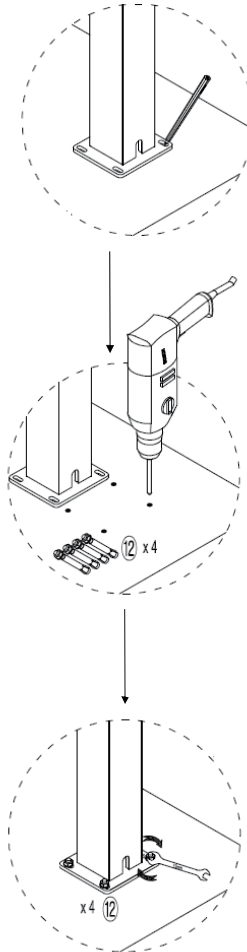
Step 8

Mark holes for expansion bolts (Item 12) x 4 per post.

Note : Drill size required is 12mm .

Insert bolts. Use a hammer drill if required .
Place posts over bolts .

Tighten nuts





MIMOSA 3x3 PORTSEA GAZEBO

WARNING: Ensure louvres are open during periods of mild to strong winds.

Step 9

Once installed, make sure any remaining plastic is removed and silicone is used along all corners and gutters to waterproof.

