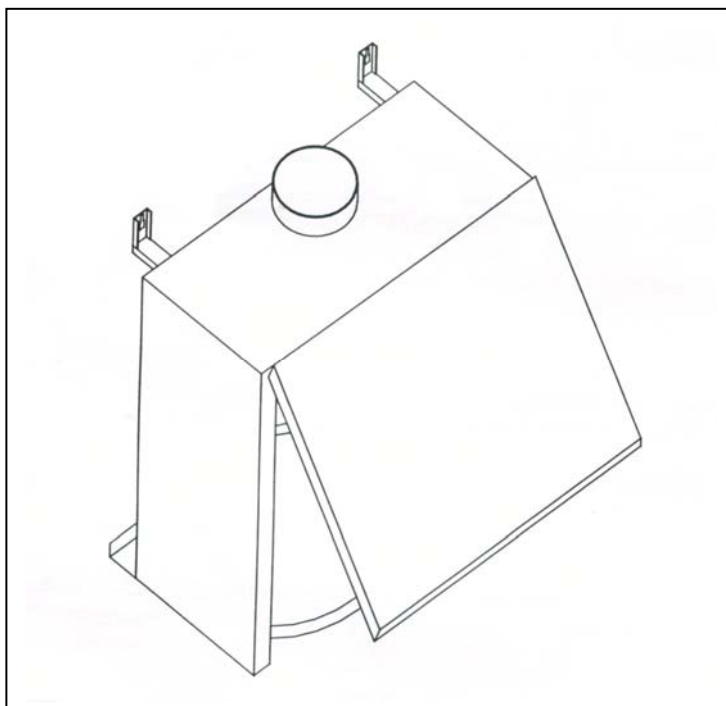




Installation and Operating Instructions

**TILTA MODELS:
T1-6-2
T1-6HT
T1-9HT**



As part of Parmco Appliances Ltd commitment to improving and updating product ranges, we reserve the right to alter, change and update technical specifications and appearance attributes of all Parmco Appliances. E&OE



Dear Valued Customer,

Thank you and congratulations on purchasing your new Parmco appliance.

All Parmco products are made to the highest quality and design standards. We are sure you will enjoy your new appliance.

As a note, please read through these instructions carefully, as these will assist you in gaining a complete understanding of the functions and features offered by your appliance.

Please take special note of all detailed technical information and installation instructions. It is essential that you only allow a qualified technician to install this appliance to ensure the safety and reliability of this appliance.

Furthermore, not using appropriate personnel to install this appliance may affect any future warranty claims lodged, so please check with Parmco Appliances before any installation is carried out.

We hope you enjoy your new appliance. If you would like to find out more about this product or any other products in Parmco's extensive range, visit us on the web at www.parmco.co.nz.

Regards,
The Parmco Team



IMPORTANT SAFETY INFORMATION

For best performance and to extend the life of your appliance we recommend that you read the instructions in this owners manual thoroughly before using your new appliance. It will provide you with all the information you need to ensure its safe installation, proper use and maintenance. Retain this owners manual for future reference.



To maintain the efficiency and safety of this appliance we recommend the following:

BEFORE USING THIS APPLIANCE

Read the instructions thoroughly

- Remove all plastic protective films on the appliance before operating the appliance.
- The brackets and screws to fix this canopy to the wall are provided and are fixed to the inside packaging. Please check that the brackets and screws are not discarded with the packaging.

Safety Information

- This appliance is designed for non-commercial, household use only and must not be altered in any way.
- This appliance can only be used safely when it is correctly connected to an efficient earthing system in compliance with New Zealand Electrical Standards requirements.
- Before maintenance or cleaning always ensure that the appliance is disconnected from the mains.
- Packaging items such as plastic bags, polystyrene, nails etc that this appliance is delivered in are potentially dangerous, and therefore appropriate measure must be taken to prevent children from coming into contact with them.
- This appliance must only be used by adults. Make sure that children do not touch the controls or play with the appliance. Young children should be supervised to ensure they do not play with the appliance.
- This appliance is not intended for use by persons (including children) with reduced physical, sensory, or mental capabilities, or lack of experience and knowledge, unless they have been given supervision or instruction concerning the use of this appliance by a person responsible for their safety.
- The exposed parts of this appliance may heat up during the cooking process and remain hot for some time afterwards, even after it has been switched off. Keep children well away during operation and while the unit is cooling down.
- Keep the appliance thoroughly cleaned. Residues may cause fire risks.

- DO NOT use a steam cleaner to clean this appliance.
- Avoid improper or dangerous use of this appliance.
- Do not obstruct the ventilation or heat dissipation slots.
- This appliance is intended for indoor use only. Avoid exposing the appliance to atmospheric elements such as direct sunlight and rain.
- If the supply cord is damaged, it must be replaced by the manufacturer or a service agent or a similarly qualified person.

Installation

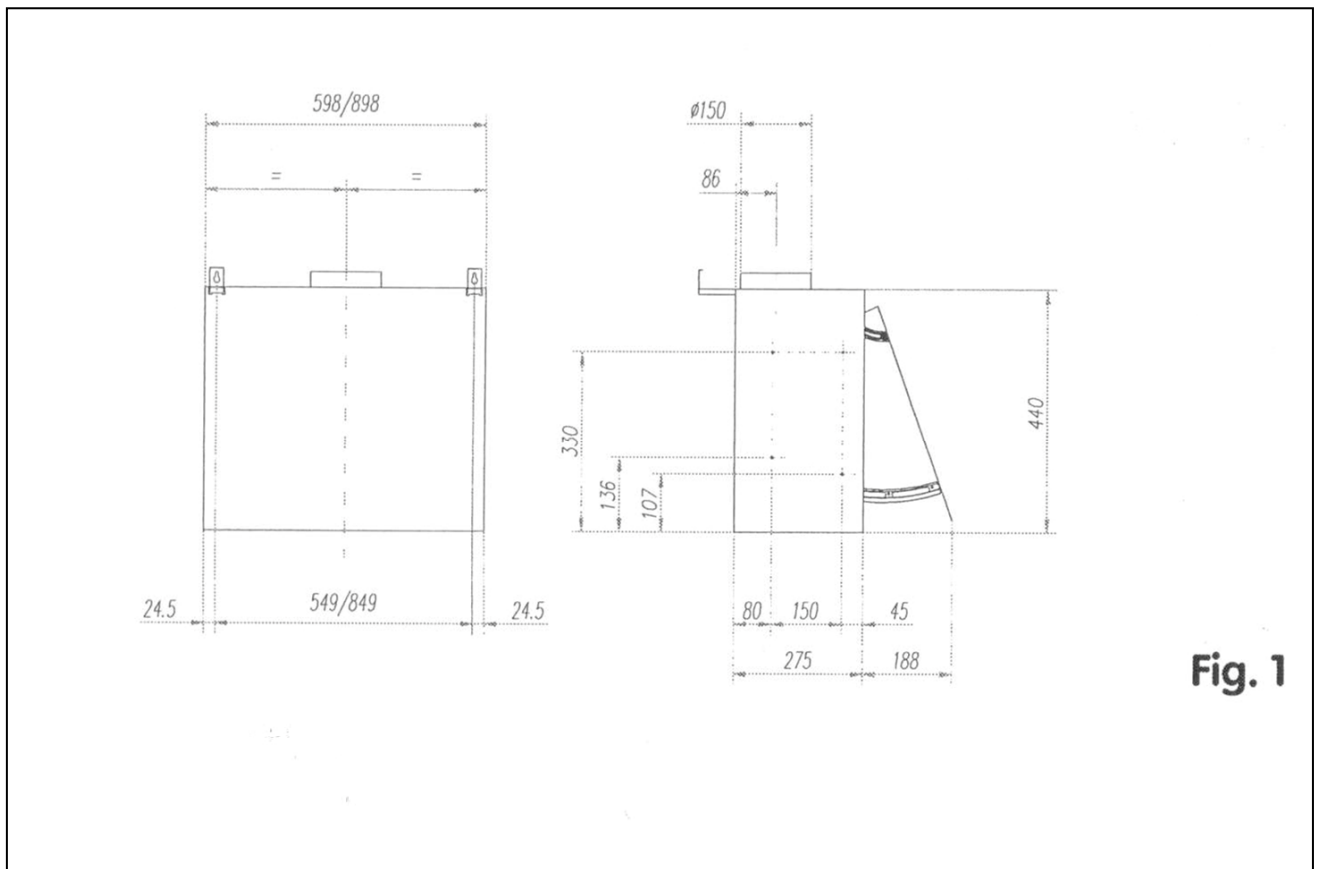


Fig. 1

The above dimensions are shown for both the 600mm and 900mm version of the Tilta hood.



Installation of kitchen ventilation over electrical and gas cooktops must be undertaken in full accordance and reference to the relevant NZ building standards.

- Before installation, please ensure the area is clean to avoid remaining bits of broken wood and dust being sucked into the unit.

- The exhaust air must not be discharged into an operating smoke or exhaust flue, or into a shaft used for ventilating rooms in which a fireplace is located. The exhaust must not share the flue of any other appliance.
- After the initial installation check that the unit has been installed level to avoid grease collection at one end.
- When the canopy is located above a gas appliance the minimum distance from the top of the cooking surface shall be 75cm and comply with the relevant NZ standards.
- When the canopy is located above an electric cooking surface the minimum distance from the top of the cooking surface shall be 65cm and comply with the relevant NZ standards.
- If installation instructions for the gas hob you are using specify a greater distance please follow the hob manufacturers recommendation.
- Regulations concerning the discharge of air must be adhered to. Please refer to the relevant NZ standards.
- These hoods can be re-circulated using carbon filters available from Parmco Appliances.

WALL FIXING

- Drill two holes into the wall using the dimensions set out in (Fig.1) above. Ensure that the screws are fixed into material suitable to carry the load of this unit.
- Fix the two stirrups (see Fig. 2) in position ensuring screws are tightly fixed.
- Place the stirrups into the special slots in the rear of the canopy.
- Loosely fix the stirrups to the canopy with the screws provided in holes A (Fig.2).

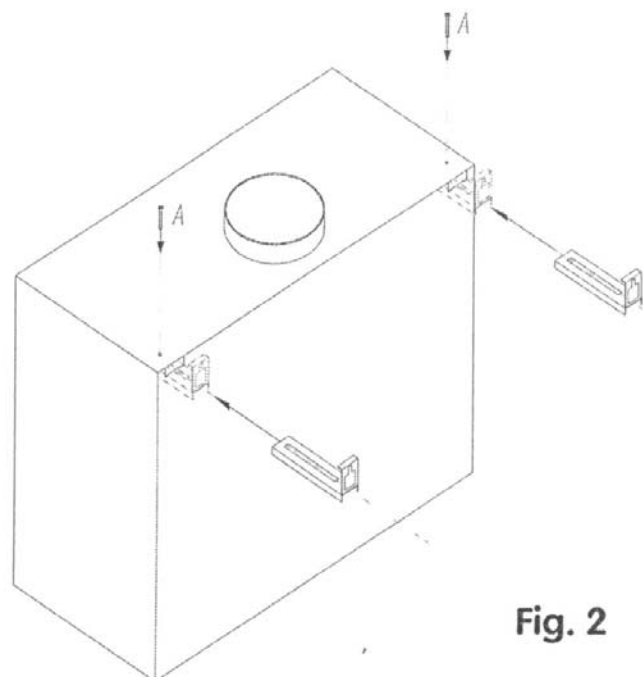


Fig. 2

- A packer may be required depending on the depth of cabinetry being used and the depth of the fascia panel being applied to the Tilta unit.

- Additional holes can be drilled through the rear of the unit to fix the unit to the packer if required.
- To adjust the bottom of the unit to the required depth use the screws located on the underside of the unit as per Fig 3 below.

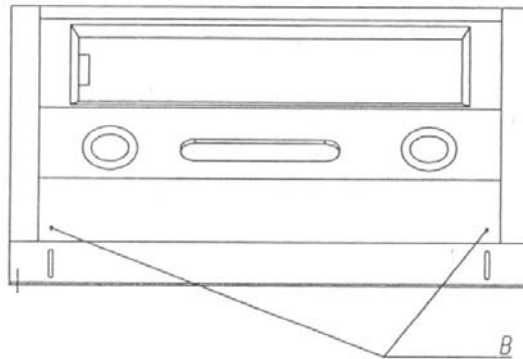


Fig. 3

- Once the correct height, depth level and plumb has been achieved ensure all fixing screws are fully tightened.



The panel (A) shown below is not designed to be removed during installation. Removal of this panel may result in damage to the retaining lugs (B). Do not remove panel (A) to install this unit.



B

FIXING THE INTEGRATED PANEL

The Tilta units are designed so panels of various type and thickness' can be used to integrate the unit into the cabinetry.

- First remove the aluminium mesh filter from the front of the unit
- Locate the two fixing lugs on either side of the curved sliders (Fig. 5) below.

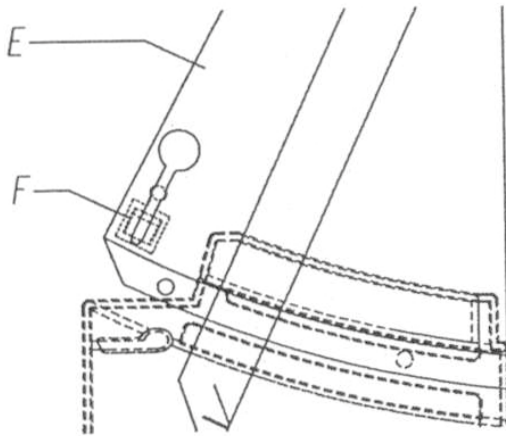


Fig. 5

- Push the retaining lugs (F) up until the lugs can be removed.
- Remove the lugs and gently lift the door assembly (E) upwards and outwards simultaneously.
- To replace the door reverse this procedure ensuring that the lugs have been replaced and are seated correctly with the curved portion of the lug facing towards the outside of the unit.



Extreme care should be taken when replacing the lugs to ensure they are seated correctly and in the correct orientation. Failure to ensure correct fitting of the lugs may allow the door to open past its locking point and result in the door becoming loose

FIXING FASCIA PANEL TO DOOR ASSEMBLY

- Mount the desired panel to the door using suitable self tapping screws as per the dimensions in (Fig6) below :

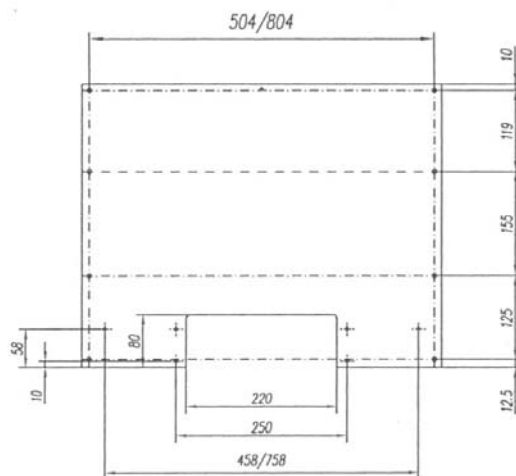
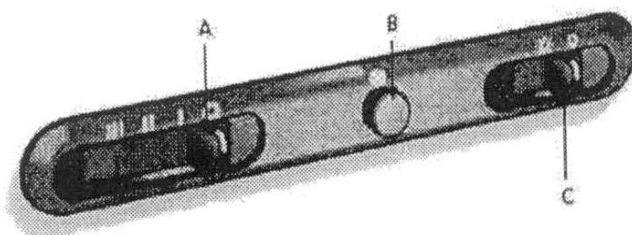


Fig. 6

- Remount the door assembly into the unit and ensure the locking lugs are correctly positioned and orientated.

Operating Instructions

The Tilta units can have the fan speed and lighting preset so that it automatically operates when the front cover is extended out. The unit can also be operated manually once the front cover is extended out. The Tilta units will not operate when closed.



A = Three speed power switch

B = Power light indicator

C = Lighting switch.

The Tilta units can be operated on 3 different speed levels, level I being the lower speed and level III being the highest.



Cleaning of the filters regularly will ensure better performance and longer appliance life. The lighting switch can be operated without the motor running if ambient light is required.

Care and Maintenance



When performing maintenance and cleaning ensure that the unit is turned off and the plug disconnected from the socket

Vapours and odours in the cooking air are exhausted through the aluminium grease filter then the carbon filter (when fitted). The efficiency of this appliance depends on the condition and cleanliness of these filters.

Aluminium Grease Filters

These filters should be washed every 10-15 days depending on the type of cooking being undertaken. Cooking styles with high oil content will require more frequent cleaning. Filters should be dipped into warm soapy water, soaked for 10

minutes, then gently scrubbed to remove residues. Filters can be placed in the dishwasher when the detergent has a low caustic content. High caustic content dishwasher detergents may discolour the aluminium filters and result in premature failure of the aluminium mesh.

Carbon Filters

These filters contain activated carbon and cannot be cleaned. These filters should be replaced depending on how often the hood is used and what type of cooking is being undertaken. High odour and high oil content cooking will result in more frequent replacement of the carbon filters.

Lamp Replacement

- To replace the halogen lamps first rotate the stainless steel lens cover (A) counter-clockwise
- Remove the stainless steel lens cover taking care not to drop the glass lens (B).
- Remove the bulb.
- Replace the halogen bulb with a new 12 Volt - 10 watt replacement. Take care not to touch the new halogen bulb directly with fingers as this can result in the bulb failing.



Electrical Connection

Make sure that the supply voltage ratings are compatible with those stated on the appliance data label.

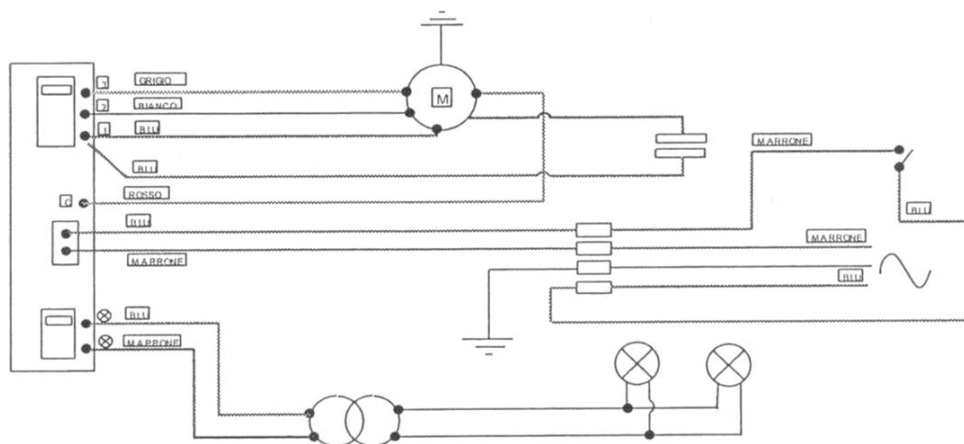
This appliance comes fitted with a AS/NZS rated 3 pin plug and can be connected to a suitable socket that supply voltage ratings compatible with those stated on the appliance data label.

IMPORTANT: If the appliance is to be hardwired when making a fixed installation then a suitable cut-off device must be used to assure omnipolar disconnection of the mains. The cut off distance of the contacts must be at least 3mm.



This appliance must be installed in full accordance with the Electrical Standards requirements of New Zealand.

Halogen/Sliding control wiring diagram





p: 09 573 5678
 f: 09 573 5699
 e: sales@parmco.co.nz
 w: www.parmco.co.nz



*Parmco Appliances
 extended 5 year
 warranty*



The Warranty:

- Subject to the terms and conditions contained within this warranty, if the product is not of Acceptable Quality (as defined in the Consumer Guarantees Act) within 5 years of the date of original purchase, then Parmco Sales undertakes to repair or, at its sole discretion, replace the product.
- The warranty does not cover the costs of transport, mileage or travelling time if the product is located beyond 30km of a recognised Service Agent.
- This warranty is offered as an extra benefit, and does not affect other legal rights, which can not be modified or excluded by agreement.
- This warranty only applies to goods supplied and installed in the North and South Islands of New Zealand.
- The provisions of this warranty are in addition to the rights and remedies available to consumers under the Consumer Guarantees Act 1993.

The Warranty is not valid:

- If the product is not installed and operated in accordance with the operating instructions.
- If the product is not installed to comply with the electrical, gas, plumbing and other Regulations and Codes of Practice in New Zealand.
- If the product is operated on voltages or frequencies outside the normal range for domestic appliances in New Zealand.
- If the product is not used in normal domestic use, or if it is used in a business as defined in the Consumer Guarantees Act.
- If any serial number has been removed or defaced.
- If proof of date of purchase is not supplied, except at the sole discretion of Parmco Sales. Proof of purchase can be for the product itself, or if installed with a kitchen or house then proof of purchase can be from a Parmco reseller of products supplied by Parmco.

Liability under this warranty will not be accepted for:

- Wear and tear from normal domestic use.
- Damage in transport.
- Damage caused to the product by neglect, abuse, negligence, wilful act or misuse.
- Any defect caused by accident, misuse, neglect, tampering with or unauthorised modifications of the appliance or any attempt at internal adjustment or repair by any person other than an Authorised Service Agent.
- Service calls that relate principally to the following:
 - Instruction on how to use the product.
 - Repair or replacement of house fuses, electrical wiring, gas fitting or plumbing.
- Wear and tear caused by normal use of the product.
- Normal or scheduled maintenance including blocked filters or ducting.
- Consumable items such as light bulbs.
- Any damage to ceramic glass hobs caused by spills when cooking.
- Any breakage or damage of glass items.
- Any damage caused by non recommended product used for cleaning, maintaining, lubricating or similar.
- Any aspect relating to the installation of the product, or damage caused during installation.
- Any third party (including reseller) or consequential loss or damage (direct or indirect) however arising.

Product _____ Date of purchase _____

Dealer / Retailers Name _____

Please retain this Warranty card together with receipt or other proof of purchase date when seeking service during the warranty period

Please contact Parmco at 09 573 5678 if your appliance needs servicing under warranty. Please have your model number and proof of purchase ready. Warranty repairs must be authorized by Parmco.