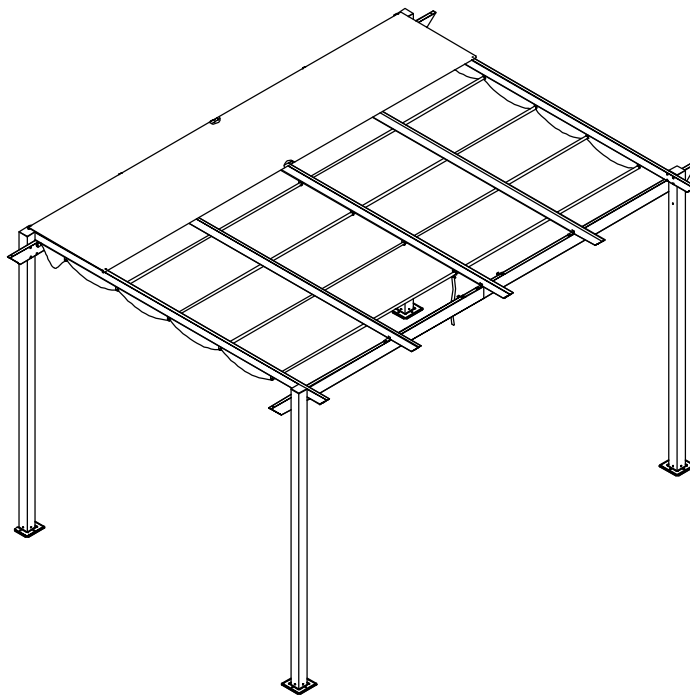


Assembly Instructions

RETRACTABLE GAZEBO SUN SHELTER

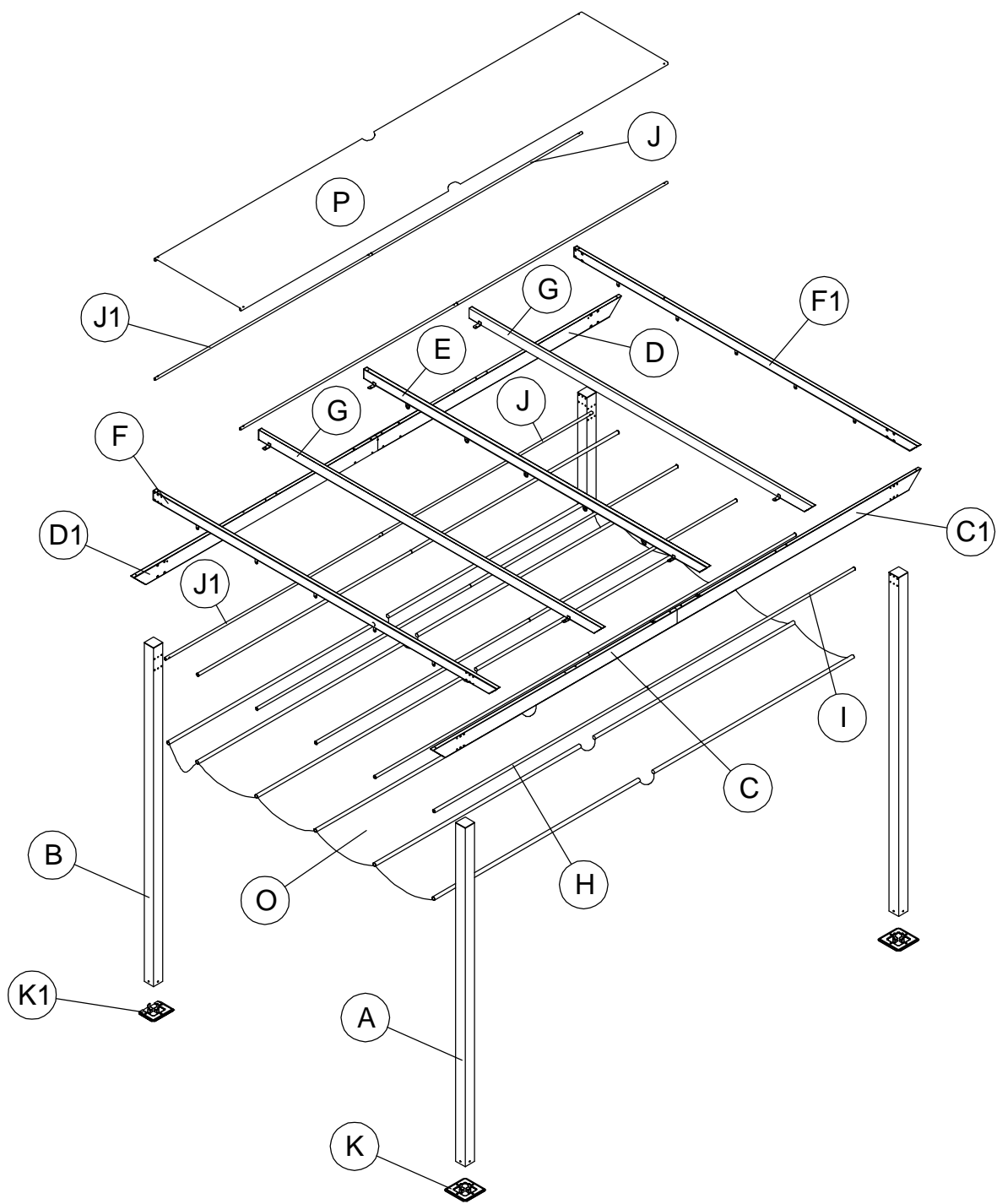
4M x 2.8M



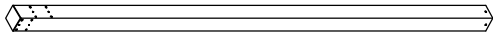
Please note:

- Canopy must be retracted during adverse weather conditions. Non permanent structure. Do not use in extreme weather conditions including heavy rain or high winds.
- To avoid damaging this product ,assemble it on a soft,non-abrasive surface such as carpet or cardboard.

Pre-Assembly

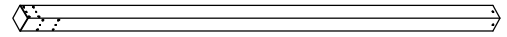


Part list



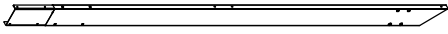
(A) Front left / back right post

2x



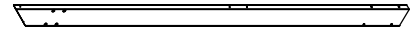
(B) Front right / back left Post

2x



(C) Front left connector bar

1x



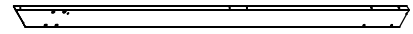
(C1) Front right connector bar

1x



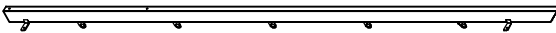
(D) Back right connector bar

1x



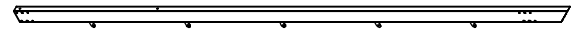
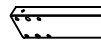
(D1) Back left connector bar

1x



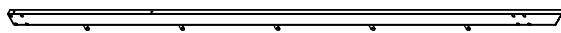
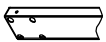
(E) Center bar

1x



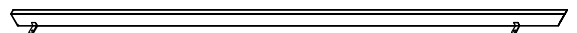
(F) Outer left bar

1x



(F1) Outer right bar

1x



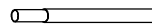
(G) Top bar

2x



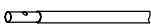
(H) Left fabric hanger

5x



(I) Right fabric hanger

5x



(J) End right fabric hanger

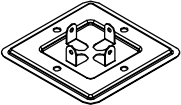
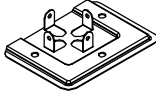
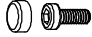


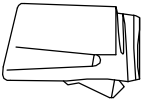


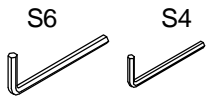



3x



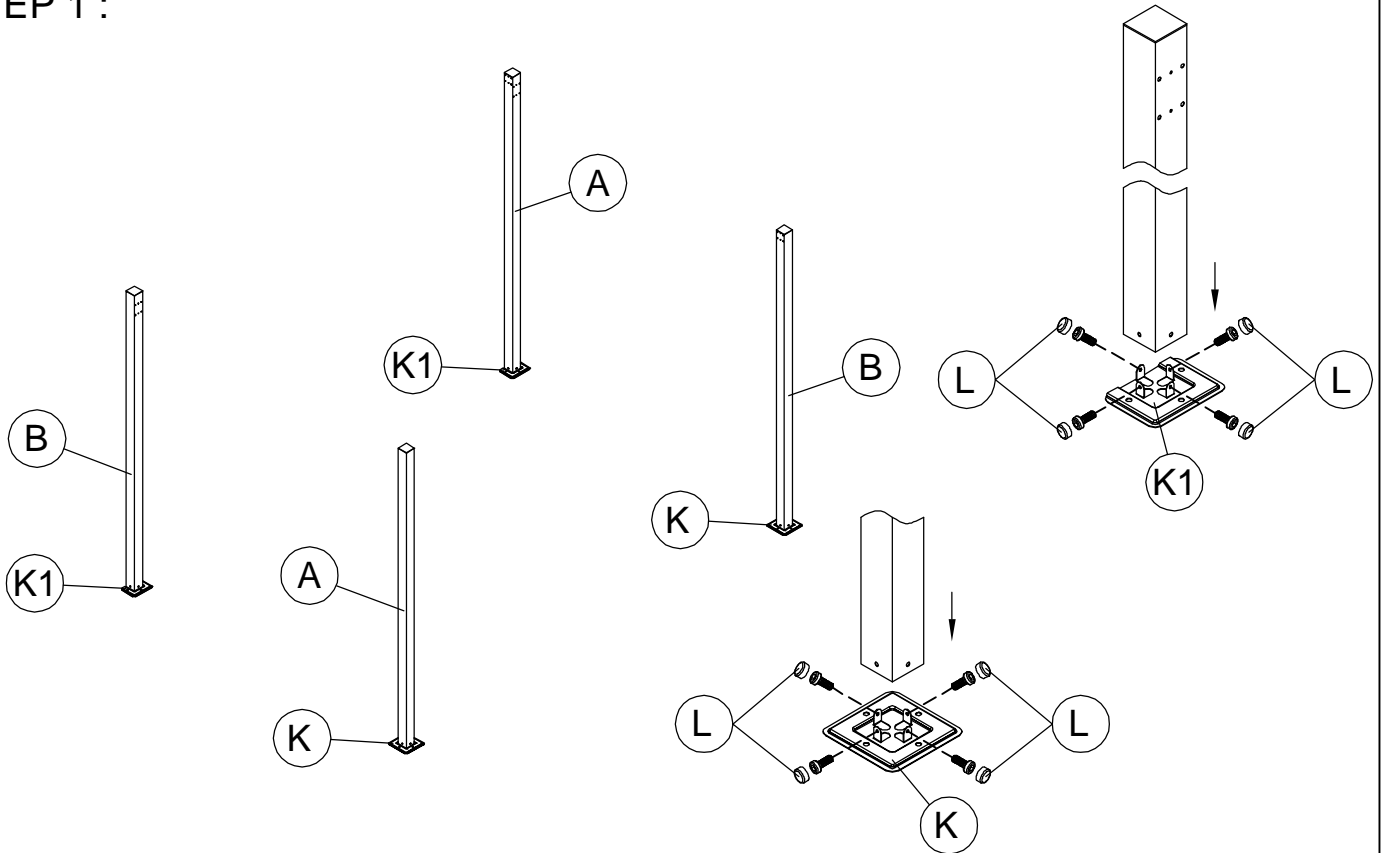
(J1) End left fabric hanger

3x

Part list

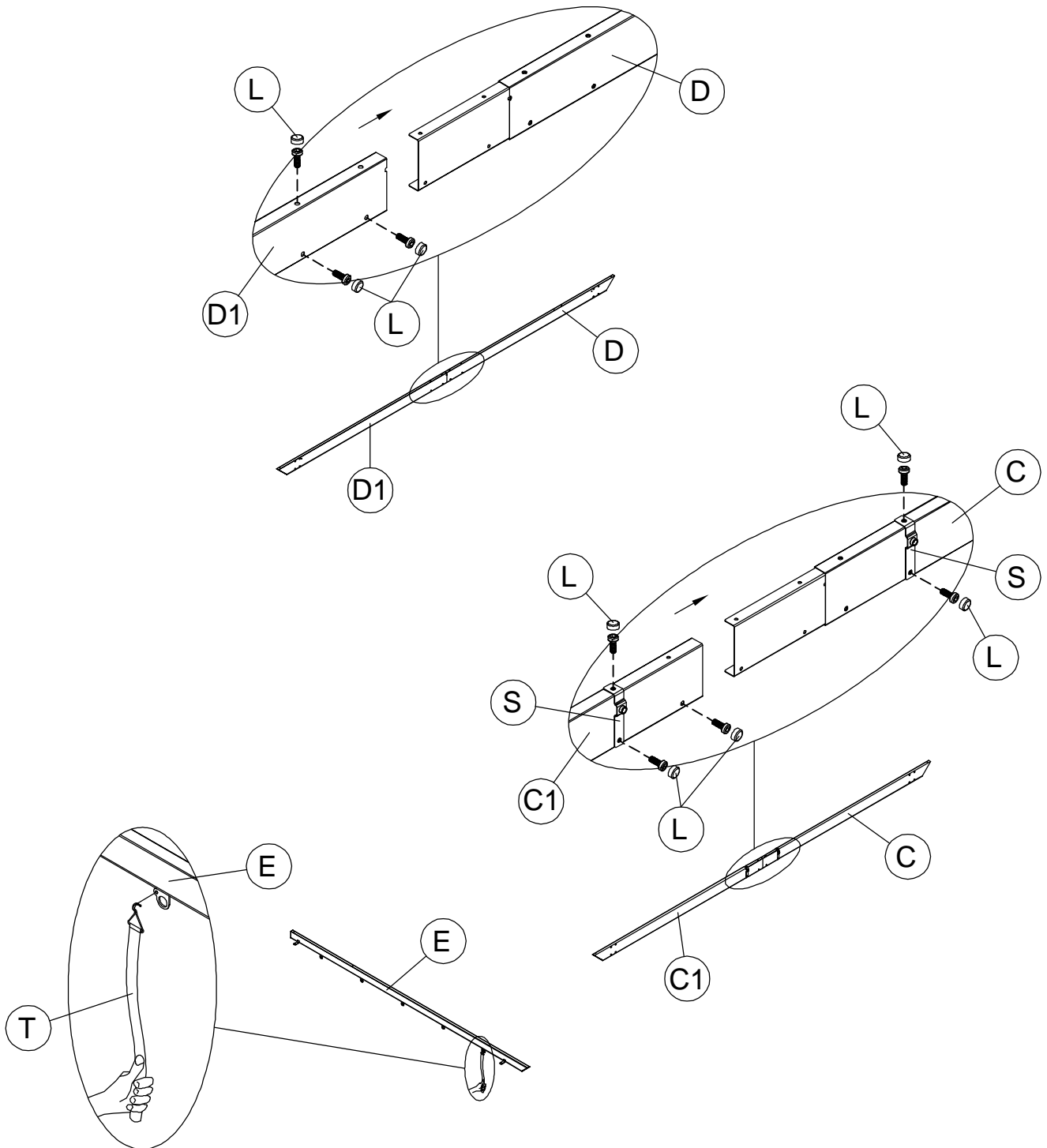
			
(K) Front post base plate 2x	(K1) Back post base plate 2x	(L) Bolts M6X16 46x	(M) Bolts M6X30 9x
			
(N) Bolts M6X15 32x	(O) Fabric 1x	(P) Sun shelter 1x	(Q) Ground spike 8x
			
(R) Hex wrench 1x	(S) Magnet fix part 2x	(T) Canopy strap 1x	(U) Washer 3x

STEP 1 :



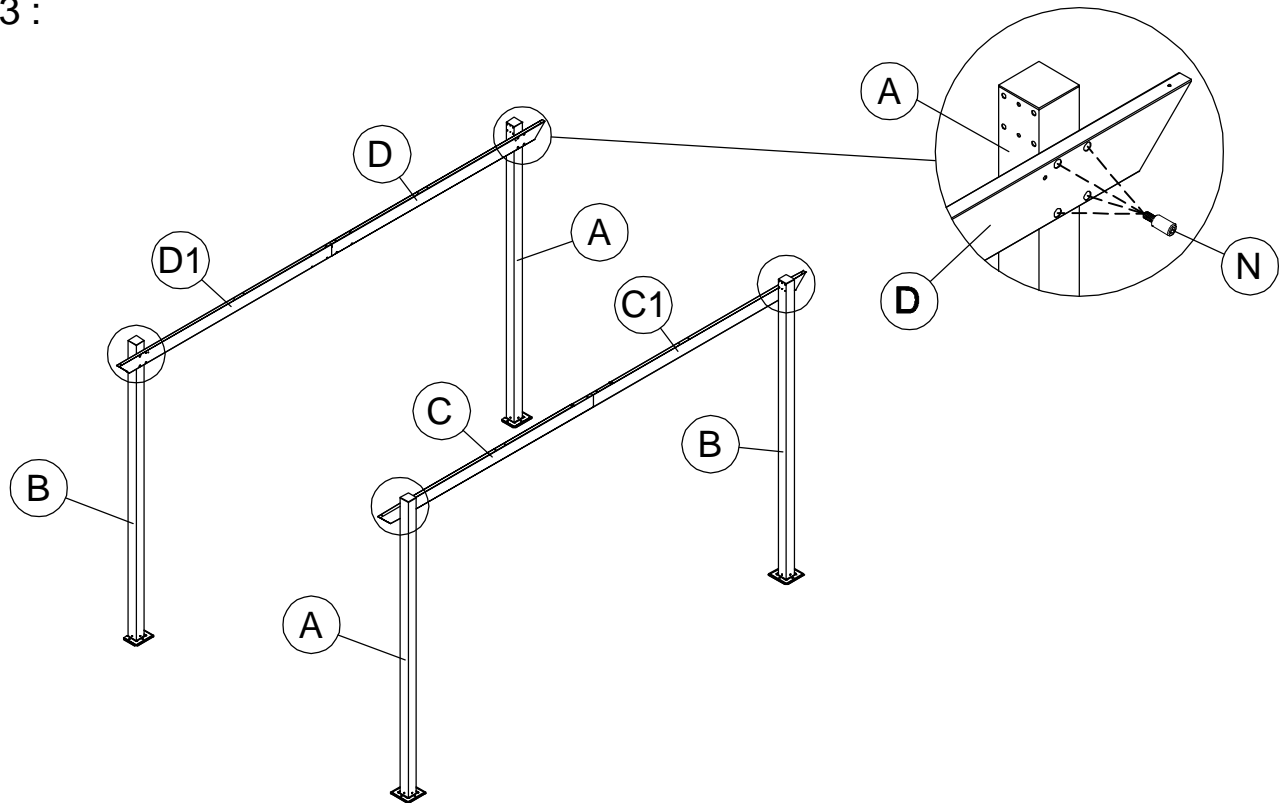
Put each post (post A / B) on the post base plate (K / K1), use bolts M6X16 (L) to fix it.
 Notes: Front posts fix on K and back posts fix on K1.

STEP 2 :



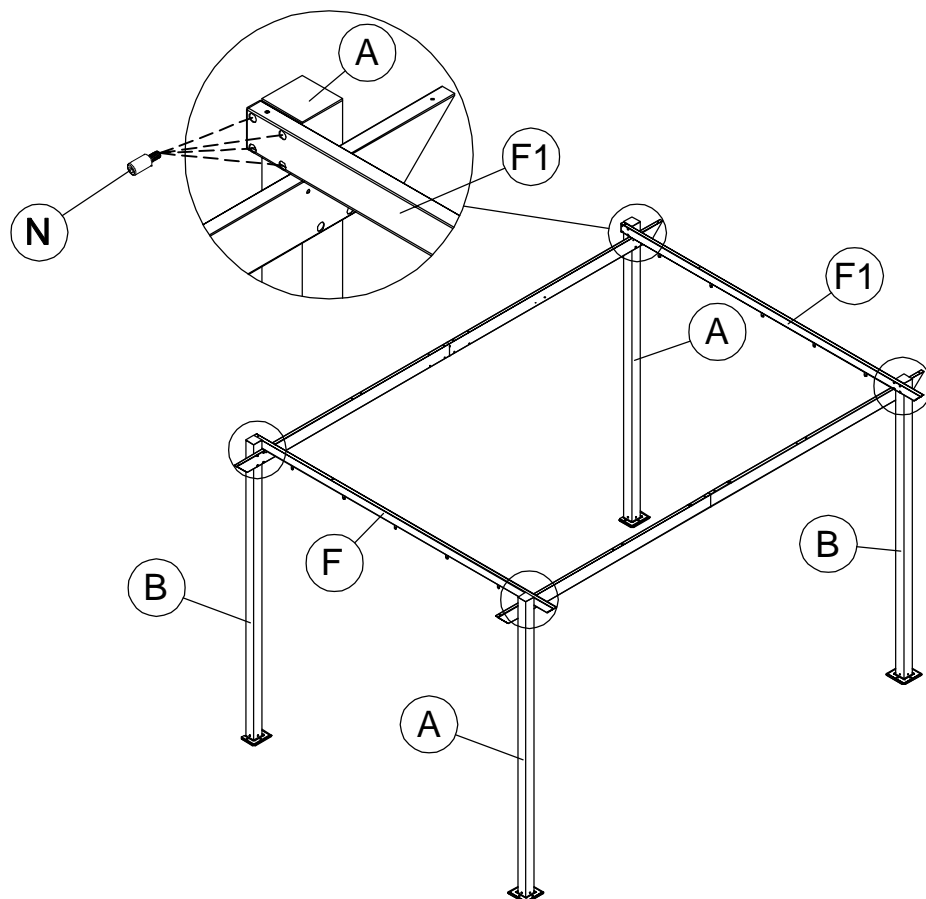
- 1, Attach the back left connector bar (D1) to back right connector bar (D) , and fix with bolts M6X16 (L).
- 2, Attach the front right connector bar (C1) to front left connector bar (C) , and attach the magnet fix part (S) on the connector bar (C / C1),fix with bolts M6X16 (L).
- 3, Hang on the canopy strap(T) to center bar (E).

STEP 3 :



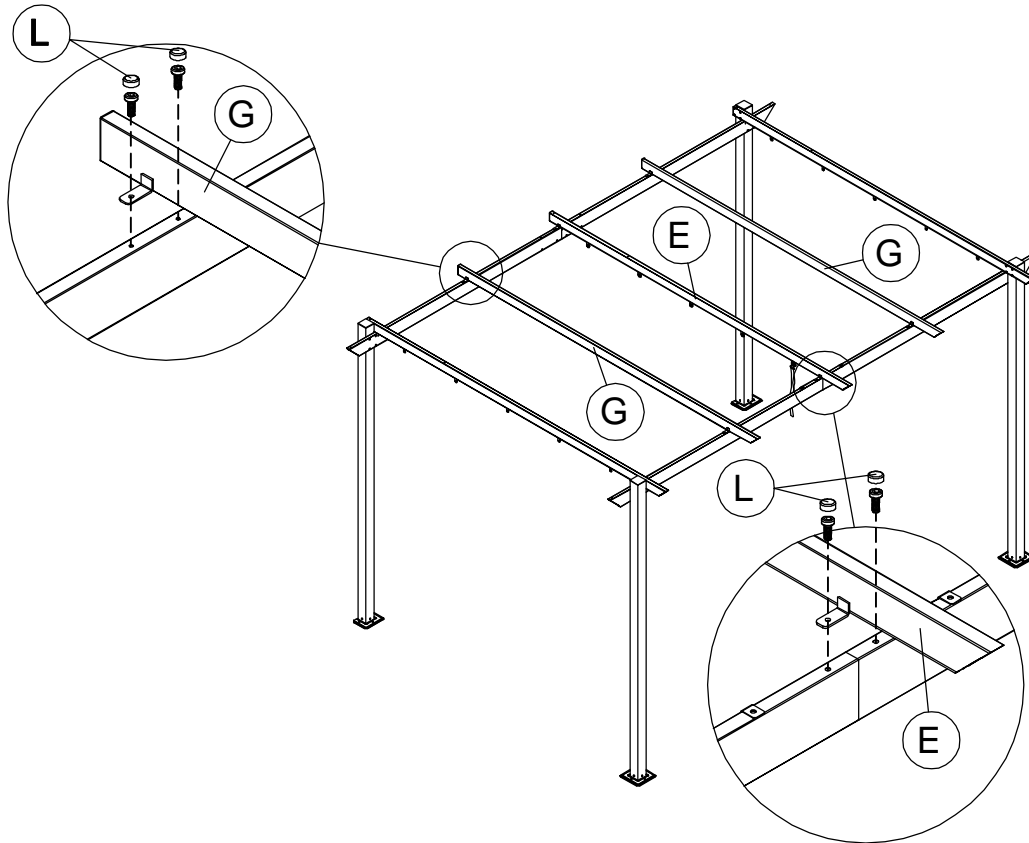
Attach front connector bar (C / C1) to front posts and fix with bolts M6X15 (N).
Attach back connector bar (D / D1) to back posts and fix with bolts M6X15 (N).

STEP 4 :



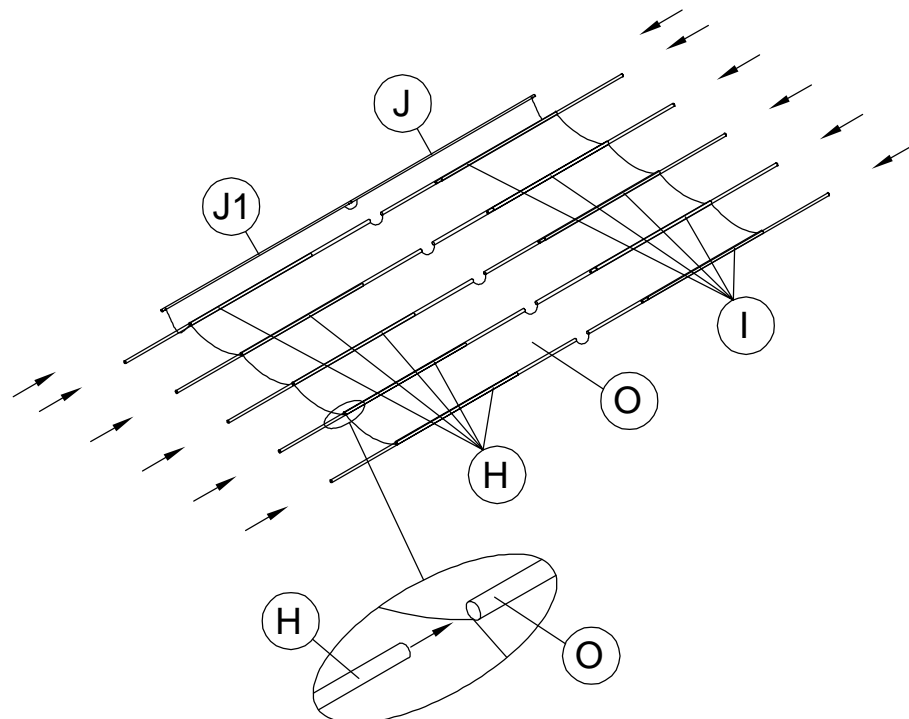
Attach outer left bar (F) and outer right bar (F1) to the post by using bolts M6X15 (N).

STEP 5 :



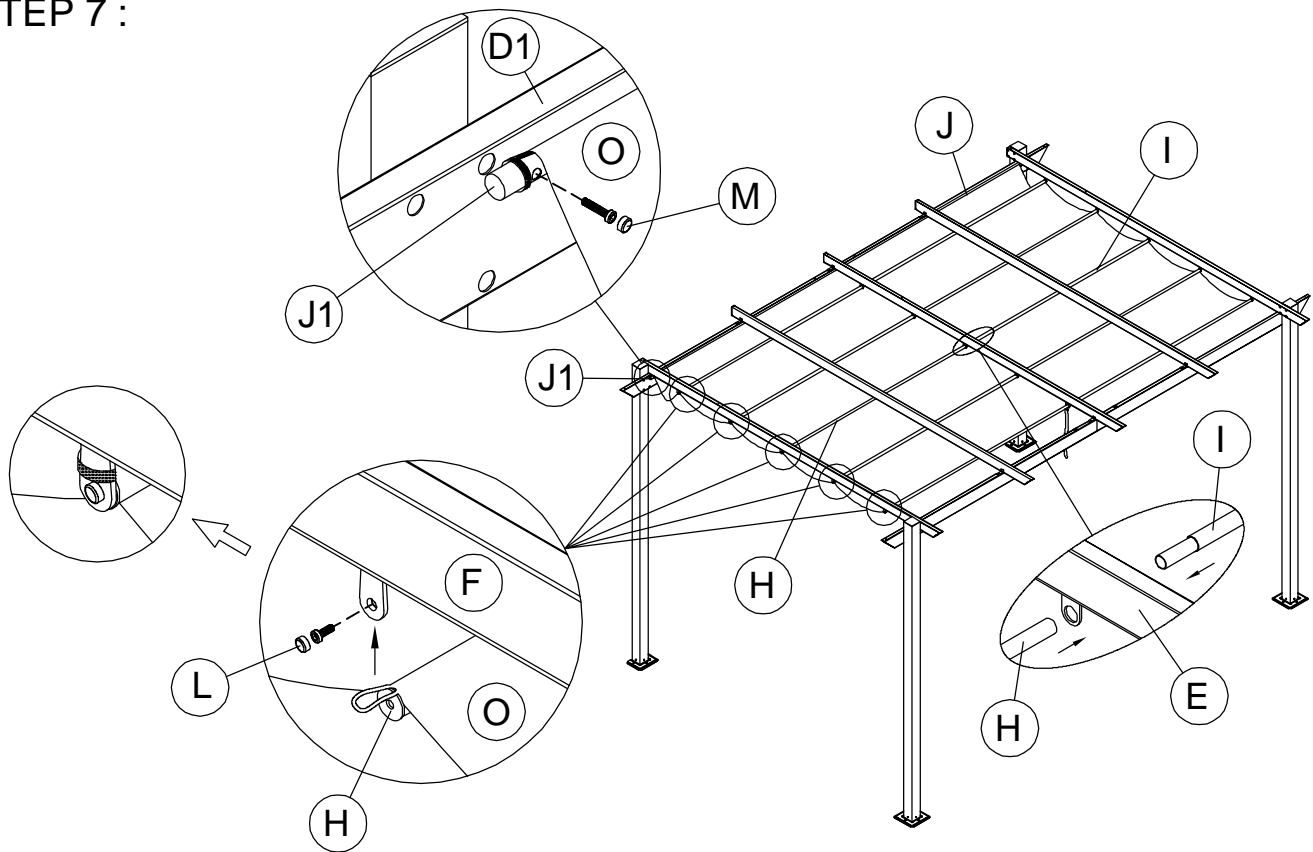
Attach center bar (E) and top bar (G) to the horizontal connecting bar by using bolts M6X16 (L).

STEP 6 :



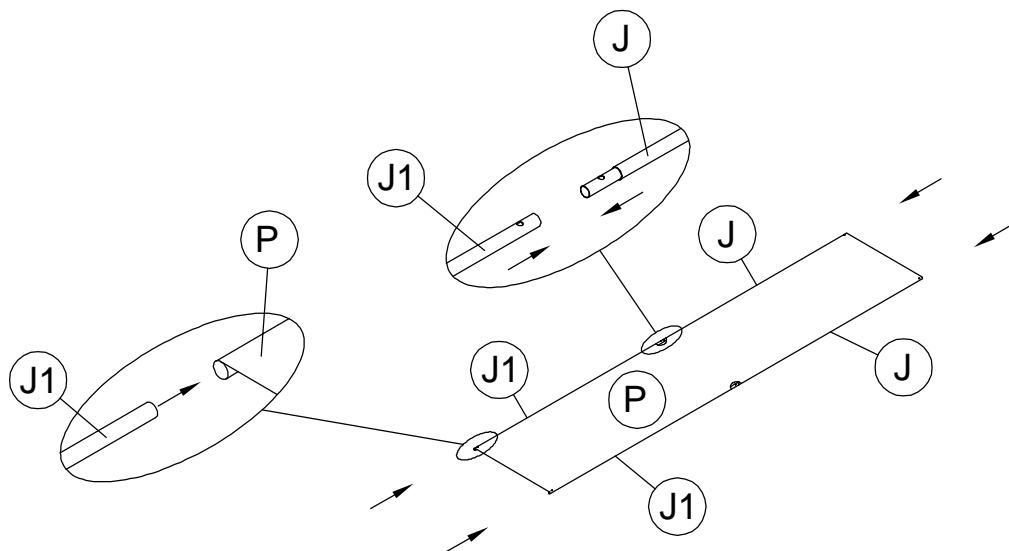
- 1, Insert the end right fabric hanger (J) and end left fabric hanger (J1) into each side of the slot at the end of fabric (O).
- 2, Insert the left fabric hangers (H) and right fabric hangers (I) into the remaining slots of the fabric .

STEP 7 :



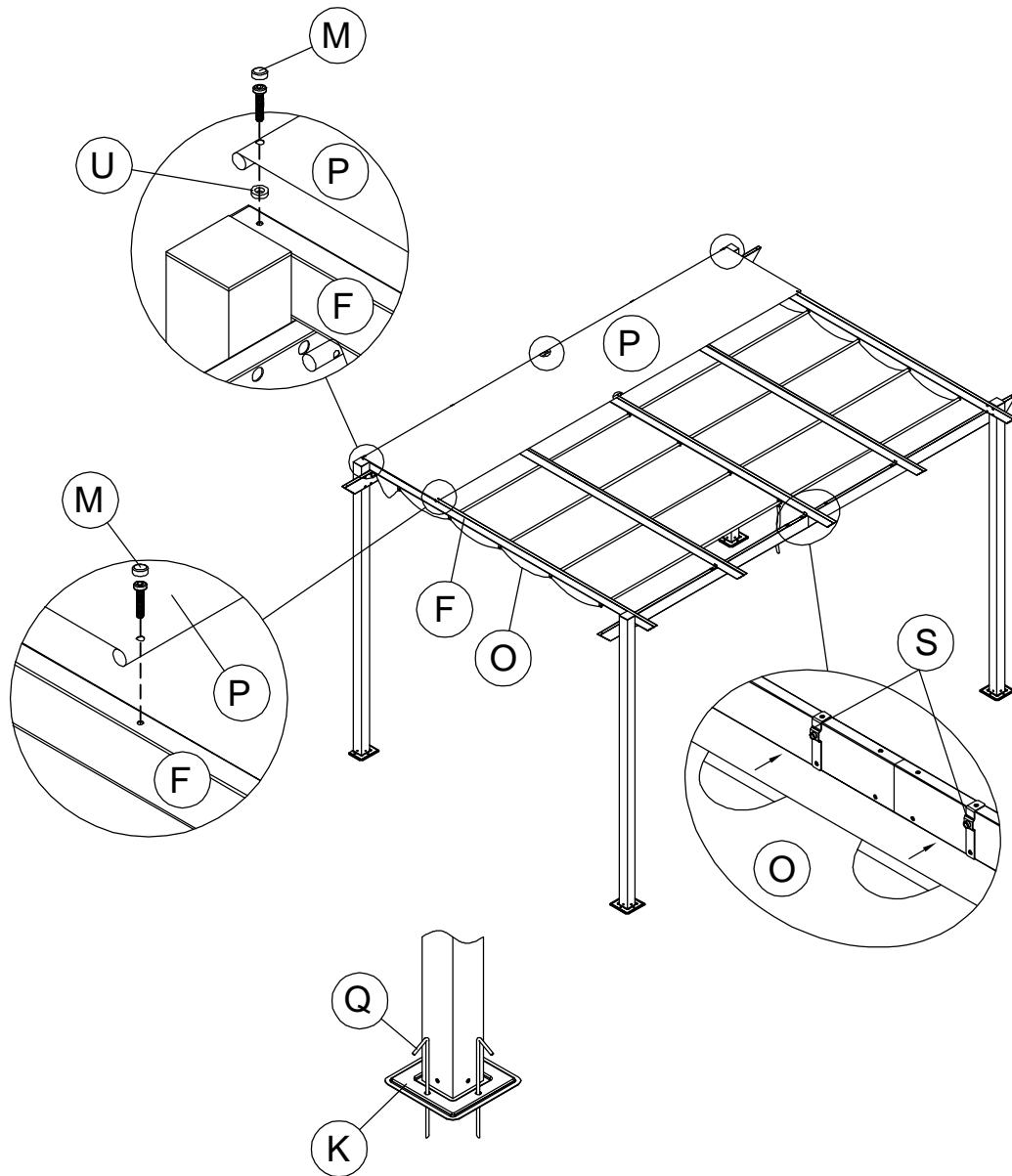
Attach the end fabric hanger (J / J1) to the back connecting bar (D / D1) and fix with bolts M6X30 (M). Attach each elastic loops to end of fabric hangers (H/ I) and fix all fabric hangers (H/ I) to the outer bars (F / F1) by using bolts M6X16 (L). Insert all right fabric hangers (I) to the left fabric hangers (H) through the center bar (E) and into each other.

STEP 8 :



Insert the end right fabric hanger (J) and end left fabric hanger (J1) into each side of sun shelter (P). Make sure J and J1 are inserted to each other.

STEP 9 :



1, Attach the sun shelter (P) to back end of outer bar (F / F1) and fix with bolts M6X30 (M) and washers (U).

2, Insert the ground spikes (Q) through the post base plates (K / K1) and into the ground.

3, The canopy is not waterproof and must be retracted during adverse weather.

4, BBQ use is not recommended under closed canopy.