

# ozito

## HEAT GUN

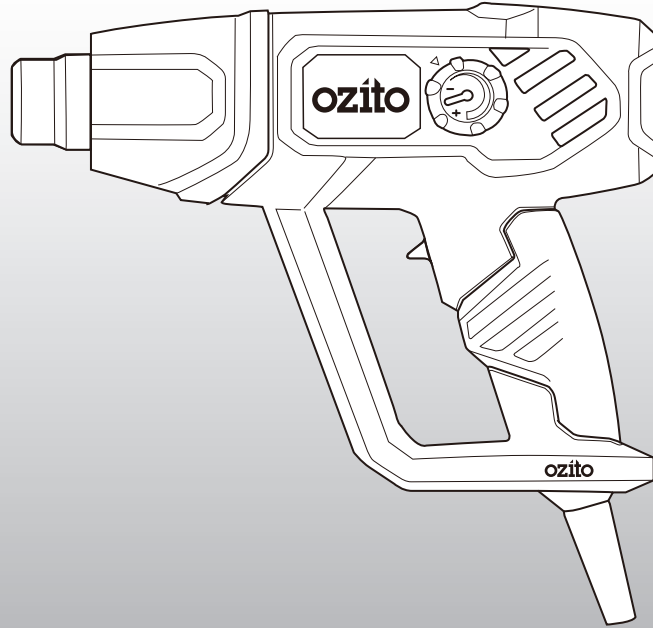
**2000W**

### INSTRUCTION MANUAL

#### SPECIFICATIONS

Power:	2000W
Input:	230-240V~50Hz
Airflow:	Fan Setting 1: 250 l/min Fan Setting 2: 500 l/min
Temperature Control:	Variable (50-450°/90-600°)
Weight:	0.81kg

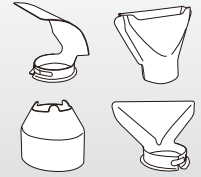
[ozito.com.au](http://ozito.com.au)



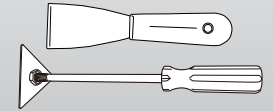
#### WHAT'S IN THE BOX



Heat Gun



Nozzles x 4



Scrapers x 2

**3** YEAR REPLACEMENT WARRANTY

**HGN-2100**

## WARRANTY

IN ORDER TO MAKE A CLAIM UNDER THIS WARRANTY YOU MUST RETURN THE PRODUCT TO YOUR NEAREST BUNNINGS WAREHOUSE WITH YOUR BUNNINGS REGISTER RECEIPT. PRIOR TO RETURNING YOUR PRODUCT FOR WARRANTY PLEASE TELEPHONE OUR CUSTOMER SERVICE HELPLINE:

**Australia 1800 069 486**

**New Zealand 0508 069 486**

TO ENSURE A SPEEDY RESPONSE PLEASE HAVE THE MODEL NUMBER AND DATE OF PURCHASE AVAILABLE. A CUSTOMER SERVICE REPRESENTATIVE WILL TAKE YOUR CALL AND ANSWER ANY QUESTIONS YOU MAY HAVE RELATING TO THE WARRANTY POLICY OR PROCEDURE.

The benefits provided under this warranty are in addition to other rights and remedies which are available to you at law.

Our goods come with guarantees that cannot be excluded at law. You are entitled to a replacement or refund for a major failure and for compensation for any other reasonably foreseeable loss or damage. You are also entitled to have the goods repaired or replaced if the goods fail to be of acceptable quality and the failure does not amount to a major failure.

Generally you will be responsible for all costs associated with a claim under this warranty, however, where you have suffered any additional direct loss as a result of a defective product you may be able to claim such expenses by contacting our customer service helpline above.

### 3 YEAR REPLACEMENT WARRANTY

Your product is guaranteed for a period of **36 months from the original date of purchase** and is intended for DIY (Do It Yourself) use only. If a product is defective it will be replaced in accordance with the terms of this warranty. Warranty excludes consumable parts, for example: nozzles, scrapers etc.

### WARNING

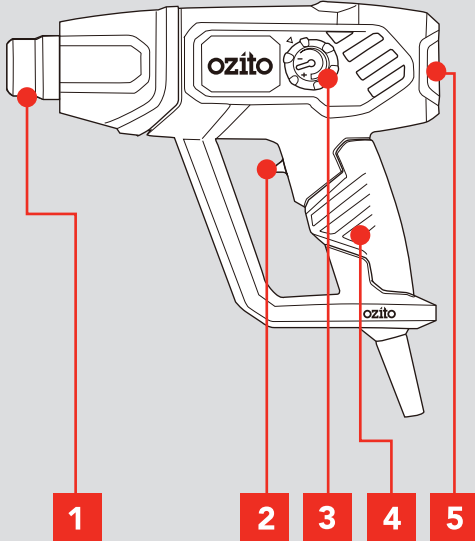
**The following actions will result in the warranty being void.**

- If the tool has been operated on a supply voltage other than that specified on the tool.
- If the tool shows signs of damage or defects caused by or resulting from abuse, accidents or alterations.
- Failure to perform maintenance as set out within the instruction manual.
- If the tool is disassembled or tampered with in any way.
- Professional, industrial or high frequency use.

# KNOW YOUR PRODUCT

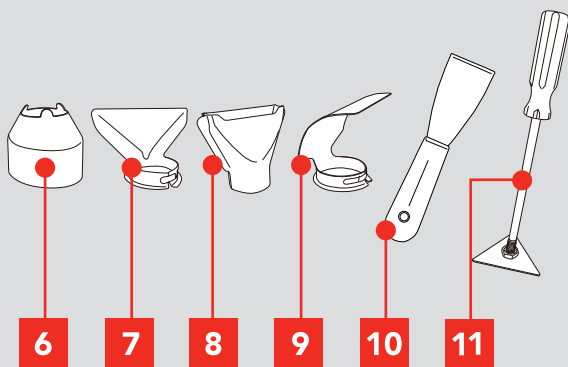
## HEAT GUN

- |                            |                    |
|----------------------------|--------------------|
| 1 Heating Element          | 4 Sure Grip Handle |
| 2 Speed On/off Switch      | 5 Flat Base Stand  |
| 3 Temperature Control Dial |                    |



## ACCESSORIES

- |                          |                    |
|--------------------------|--------------------|
| 6 Cone Nozzle            | 9 Reflector Nozzle |
| 7 Glass Protector Nozzle | 10 Scraper         |
| 8 Fish Tail Nozzle       | 11 Corner Scraper  |



## ONLINE MANUAL

Scan this QR Code with your mobile device to take you to the online manual.

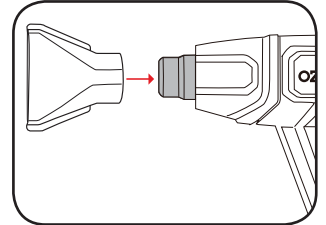


# SETUP & PREPARATION

## 1. ASSEMBLY

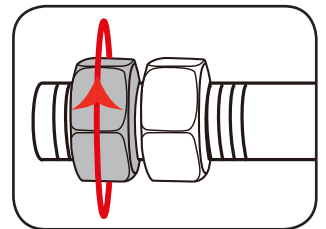
### Nozzles

1. Push the open end of the nozzle onto the heat gun.

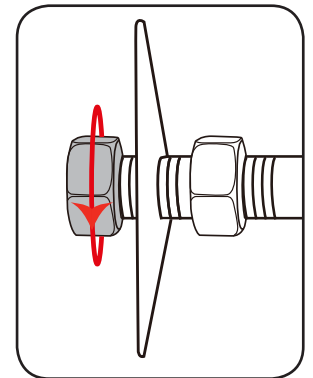


### Scraper

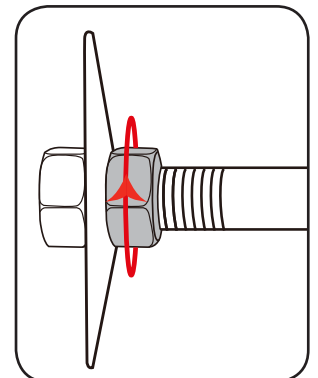
1. Unscrew and remove the first nut on the scraper handle.



2. Place the scraper blade onto the handle and then replace and tighten the first nut.



3. Tighten the second nut until the scraper blade is firmly secured between the two nuts.



**3** YEAR REPLACEMENT WARRANTY

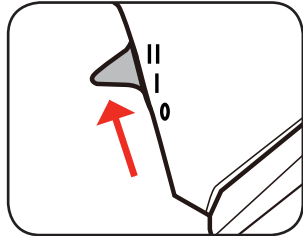
# OPERATION

## 2. CONTROLS

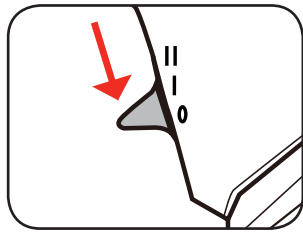
The tool is recommended for use with a residual current device with a rated residual current of 30mA or less.

### On/Off Switch

1. Slide the on/off switch up one position for fan setting 1 or up two positions for fan setting 2.

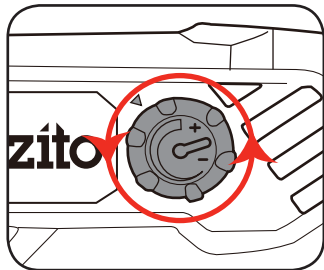


2. Lower switch to "0" to turn off.

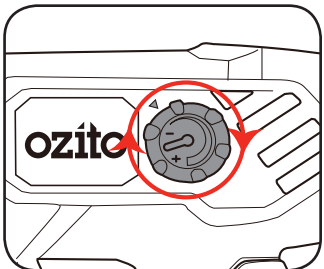


### Temperature Control Dial

1. To increase the temperature rotate the temperature control dial anti-clockwise.



2. To lower the temperature rotate the temperature control dial clockwise.

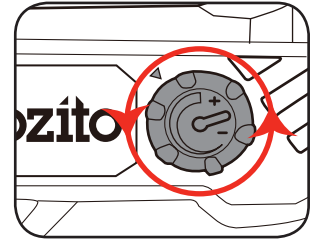


**Caution:** THE HEATGUN HAS A BUILT-IN THERMAL PROTECTION OVERLOAD SWITCH. THE HEATGUN STOPS IF AN OVERLOAD OCCURS. THE HEATGUN RESTARTS AUTOMATICALLY AFTER IT HAS COOLED DOWN.

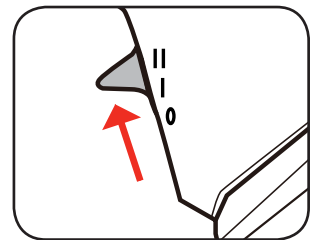
## 3. OPERATING THE HEAT GUN

**Note:** Ensure the heat gun is in the off position '0' before connecting to a power supply.

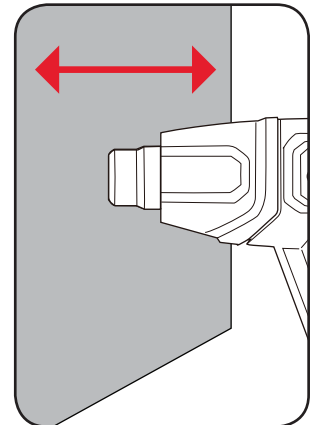
1. Select the appropriate heat setting.



2. Point the heat gun to the work surface, then turn on by selecting a fan setting.



3. Keep the heat gun constantly moving to avoid having it pointed at the one place for more than 5 seconds.

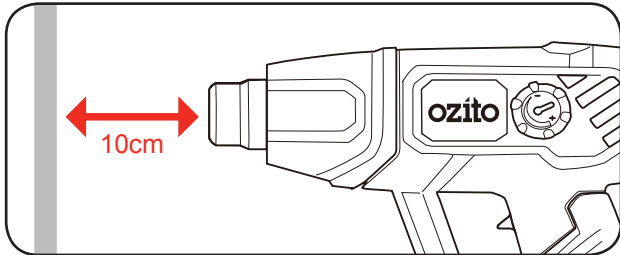


**WARNING:** THIS TOOL IS DESIGNED FOR INDOOR USE ONLY. USING THIS TOOL FOR PROLONGED PERIODS MAY CAUSE IT TO OVERHEAT AND MALFUNCTION. TO ENSURE THE TOOL DOES NOT OVERHEAT, FREQUENT BREAKS ARE SUGGESTED TO ALLOW THE TOLL TO COOL DOWN.

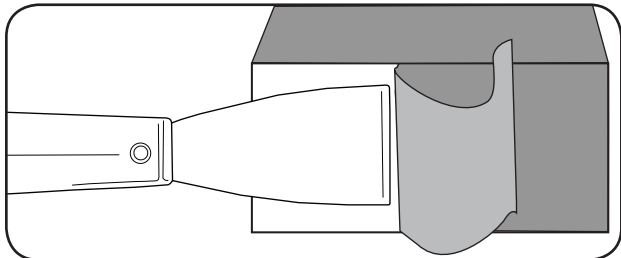
## 4. APPLICATIONS

### Paint Removal / Dissolving Adhesives

1. Position nozzle 10cm from surface. Work the heat gun from side to side until the paint blisters.



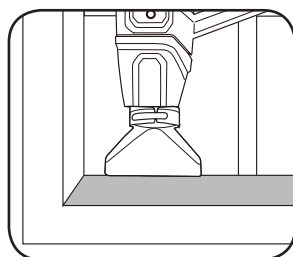
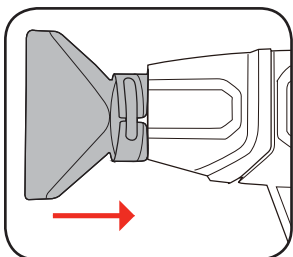
2. Use the scraper to remove the softend paint.



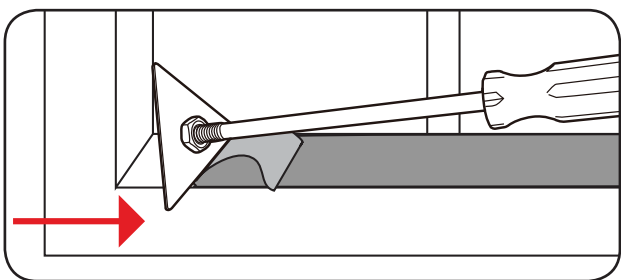
Note: Do not keep the heat gun pointed at one place or overheat the paint as this may burn the paint, making it more difficult to remove.

### Paint Removal on Windows

1. Fit the glass protector nozzle. 2. Heat the surface until the paint blisters.



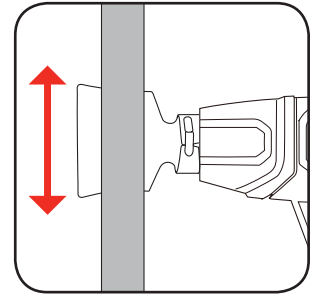
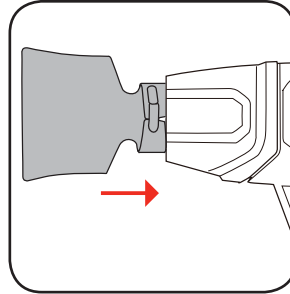
2. Remove paint with the corner scraper.



## 5. APPLICATIONS CONT.

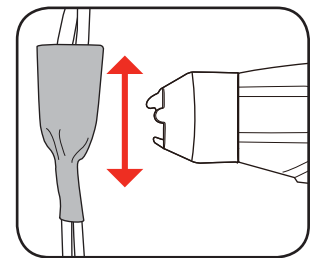
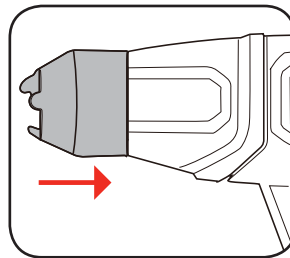
### Shaping Plastic Tubing

1. Fit the reflector nozzle and rest the heat gun on its stand.
2. Heat the tubing evenly by moving from side to side.



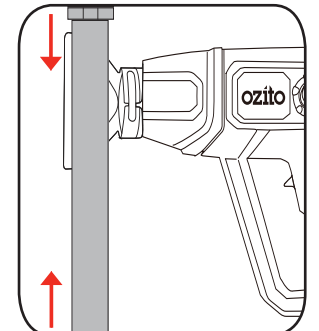
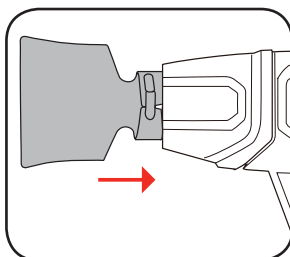
### Shrink Fitting

1. Fit the cone nozzle.
2. Cover the workpiece with a heat-shrinkable sleeve and heat evenly.



### Defrosting Water Pipes

1. Fit the reflector nozzle.
2. Heat frozen area inwards, from the edge to the centre.



# SPARE PARTS

Switch

SPHGN2100-05

For spare parts visit [www.ozito.com.au](http://www.ozito.com.au)

Or contact Ozito customer service

Australia 1800 069 486




New Zealand 0508 069 486

E-mail: [enquiries@ozito.com.au](mailto:enquiries@ozito.com.au)

# MAINTENANCE

- Keep the ventilation vents of the heat gun clean at all times, if possible, prevent foreign matter from entering the vents.
- After each use, blow air through the heat gun housing to ensure it is free from all dust particles which may build up. Build up of dust particles may cause the heat gun to overheat and fail.
- If the enclosure of the heat gun requires cleaning, do not use solvents but a moist soft cloth only. Never let any liquid get inside the heat gun; never immerse any part of the heat gun into a liquid.

# DESCRIPTION OF SYMBOLS

<b>V</b>	Volts	<b>Hz</b>	Hertz
~	Alternating current	<b>W</b>	Watts
<b>°C</b>	Degrees Celsius		Read instruction manual
	Double insulated		Regulator compliance mark

# CARING FOR THE ENVIRONMENT




Power tools that are no longer usable should not be disposed of with household waste but in an environmentally friendly way. Please recycle where facilities exist. Check with your local council authority for recycling advice.



Recycling packaging reduces the need for landfill and raw materials. Reuse of recycled material decreases pollution in the environment. Please recycle packaging where facilities exist. Check with your local council authority for recycling advice.

# ELECTRICAL SAFETY

 **WARNING!** When using mains-powered tools, basic safety precautions, including the following, should always be followed to reduce risk of fire, electric shock, personal injury and material damage.

Read the whole manual carefully and make sure you know how to switch the tool off in an emergency, before operating the tool.

Save these instructions and other documents supplied with this tool for future reference.

The electric motor has been designed for 230V and 240V only. Always check that the power supply corresponds to the voltage on the rating plate.

Note: The supply of 230V and 240V on Ozito tools are interchangeable for Australia and New Zealand.



This tool is double insulated therefore no earth wire is required.

If the supply cord is damaged, it must be replaced by an electrician or a power tool repairer in order to avoid a hazard.


**Note:** Double insulation does not take the place of normal safety precautions when operating this tool. The insulation system is for added protection against injury resulting from a possible electrical insulation failure within the tool.

## Using an Extension Lead

Always use an approved extension lead suitable for the power input of this tool. Before use, inspect the extension lead for signs of damage, wear and ageing. Replace the extension lead if damaged or defective.

When using an extension lead on a reel, always unwind the lead completely. Use of an extension lead not suitable for the power input of the tool or which is damaged or defective may result in a risk of fire and electric shock.

# GENERAL POWER TOOL SAFETY WARNINGS

 **WARNING!** Read all safety warnings and all instructions. Failure to follow the warnings and instructions may result in electric shock, fire and/or serious injury.

Save all warnings and instructions for future reference. The term “power tool” in the warnings refers to your mains-operated (corded) power tool or battery-operated (cordless) power tool.

## 1. Work area safety

- Keep work area clean and well lit.** Cluttered or dark areas invite accidents.
- Do not operate power tools in explosive atmospheres, such as in the presence of flammable liquids, gases or dust.** Power tools create sparks which may ignite the dust or fumes.
- Keep children and bystanders away while operating a power tool.** Distractions can cause you to lose control.

## 2. Electrical safety

- Power tool plugs must match the outlet. Never modify the plug in any way. Do not use any adapter plugs with earthed (grounded) power tools.** Unmodified plugs and matching outlets will reduce risk of electric shock.
- Avoid body contact with earthed or grounded surfaces, such as pipes, radiators, ranges and refrigerators.** There is an increased risk of electric shock if your body is earthed or grounded.
- Do not expose power tools to rain or wet conditions.** Water entering a power tool will increase the risk of electric shock.
- Do not abuse the cord. Never use the cord for carrying, pulling or unplugging the power tool. Keep cord away from heat, oil, sharp edges or moving parts.** Damaged or entangled cords increase the risk of electric shock.
- When operating a power tool outdoors, use an extension cord suitable for outdoor use.** Use of a cord suitable for outdoor use reduces the risk of electric shock.
- If operating a power tool in a damp location is unavoidable, use a residual current device (RCD) protected supply.** Use of an RCD reduces the risk of electric shock.

## 3. Personal safety

- Stay alert, watch what you are doing and use common sense when operating a power tool. Do not use a power tool while you are tired or under the influence of drugs, alcohol or medication.** A moment of inattention while operating power tools may result in serious personal injury.
- Use personal protective equipment. Always wear eye protection.** Protective equipment such as dust mask, non-skid safety shoes, hard hat, or hearing protection used for appropriate conditions will reduce personal injuries.
- Prevent unintentional starting. Ensure the switch is in the off-position before connecting to power source and/or battery pack, picking up or carrying the tool.** Carrying power tools with your finger on the switch or energising power tools

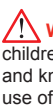
that have the switch on invites accidents.

- Remove any adjusting key or wrench before turning the power tool on.** A wrench or a key left attached to a rotating part of the power tool may result in personal injury.
  - Do not overreach. Keep proper footing and balance at all times.** This enables better control of the power tool in unexpected situations.
  - Dress properly. Do not wear loose clothing or jewellery. Keep your hair, clothing and gloves away from moving parts.** Loose clothes, jewellery or long hair can be caught in moving parts.
  - If devices are provided for the connection of dust extraction and collection facilities, ensure these are connected and properly used.** Use of dust collection can reduce dust-related hazards.
- ## 4. Power tool use and care
- Do not force the power tool. Use the correct power tool for your application.** The correct power tool will do the job better and safer at the rate for which it was designed.
  - Do not use the power tool if the switch does not turn it on and off.** Any power tool that cannot be controlled with the switch is dangerous and must be repaired.
  - Disconnect the plug from the power source and/or the battery pack from the power tool before making any adjustments, changing accessories, or storing power tools.** Such preventive safety measures reduce the risk of starting the power tool accidentally.
  - Store idle power tools out of the reach of children and do not allow persons unfamiliar with the power tool or these instructions to operate the power tool.** Power tools are dangerous in the hands of untrained users.
  - Maintain power tools. Check for misalignment or binding of moving parts, breakage of parts and any other condition that may affect the power tool's operation. If damaged, have the power tool repaired before use.** Many accidents are caused by poorly maintained power tools.
  - Keep cutting tools sharp and clean.** Properly maintained cutting tools with sharp cutting edges are less likely to bind and are easier to control.
  - Use the power tool, accessories and tool bits etc. in accordance with these instructions, taking into account the working conditions and the work to be performed.** Use of the power tool for operations different from those intended could result in a hazardous situation.

## 5. Service

- Have your power tool serviced by a qualified repair person using only identical replacement parts.** This will ensure that the safety of the power tool is maintained.

# HEAT GUN SAFETY WARNINGS

 **WARNING!** This appliance is not intended for use by persons (including children) with reduced physical, sensory or mental capabilities, or lack of experience and knowledge, unless they have been given supervision or instruction concerning use of the appliance by a person responsible for their safety.

Children should be supervised to ensure that they do not play with the appliance.

 **WARNING!** A fire may result if the appliance is not used with care, therefore:

- be careful when using the appliance in places where there are combustible materials
- do not apply to the same place for a long time
- do not use in the presence of an explosive atmosphere
- be aware that heat may be conducted to combustible materials that are out of sight
- place the appliance on its stand after use and allow it to cool down before storage
- do not leave the appliance unattended when it is switched on.