

CEILING MOUNTED EXHAUST FAN

Dear customers,

Please read all instructions before commencing installation.

IMPORTANT: This unit must be installed to comply with the appropriate council regulations and the Australia and New Zealand wiring rules AS/NZS3000:2000 or latest edition thereof.

This unit is fitted with a plug, however, any interconnecting wiring and switches used or use of another plug must be fitted by a licensed electrician. The plug supplied must be connected to the socket that is above the ceiling or in roof cavity, any other use is not permitted.

The main supply, switches and interconnecting cables required for installation of this unit are not included.

WARNING

1. Use this unit only as described in this manual. Any other use not recommended by the manufacturer may cause fire, electric shock, or injury to persons. If you have any question, contact the manufacturer or local agent.
2. All wiring must be carried out by a Licensed Electrician in accordance with all applicable National / local codes and standards. Also check with the local council regulations regarding installation of exhaust fans.
3. Make sure the power is off before installation.
4. When cutting into the ceiling, do not damage electrical wiring and other hidden utilities.
5. The unit must be properly earthed.
6. For the purpose of avoiding any dangerous gas leaking into your bathroom, the ventiduct of the unit must not be laid together with the ventiduct of air-fueled water heater or other open fire appliances into the same flue.
7. The unit must be isolated from the power by means of a plug or all-pole disconnection switch with a contact separation of at least 3mm in each pole.
8. The power cable must withstand a minimum 10A load.
9. The unit is not intended for use by young children or infirm persons unless they have been adequately supervised by a responsible person to ensure that they can use the unit safely.
10. Young children should be supervised to ensure that they do not play with the unit.

IMPORTANT CONSIDERATIONS BEFORE INSTALLING

A few minutes planning can make a big difference to the installation time and also to your satisfaction with the function of the unit.

1. The unit must be mounted outside the shower cubicle.
2. For the exhaust fan to work efficiently, replacement air of a volume equivalent to what is being extracted must be able to enter the room. In general this air would be drawn under the door. If the room is airtight, the fan will function poorly.
3. This unit is designed for installation in flat ceiling only. Do not mount it on a sloping ceiling or a vertical wall.

4. Before commencing any cutting, check in the ceiling space that there are no obstructions such as ceiling joists and that there is sufficient height clearance for the housing. Check that the electrical wiring can be routed from the wall switch to the mounting location.

INSTALLATION

1) Overview (figure 1)

Note: Duct not supplied (follow instructions supplied with the duct kit when ducting this exhaust fan).

2) Locating the unit

For the fan to work efficiently, from the grill there should be about a 2.3m overall height to ground.

3) Prepare the ceiling

Use this card as a template, mark the ceiling with a pencil outline and cut out a hole in the ceiling at the chosen area. Make sure a distance between the edges and wall no less than 250mm.

Also from the rooftop there should be a minimum 250mm height to the ceiling. (Figure 2)

Ensure that the intended hole will have suitable room to the unit and will not foul on joists or not fit in the headroom provided.

4) Remove the fascia

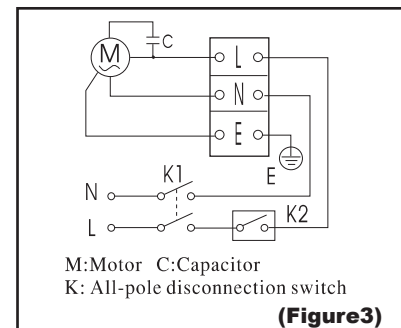
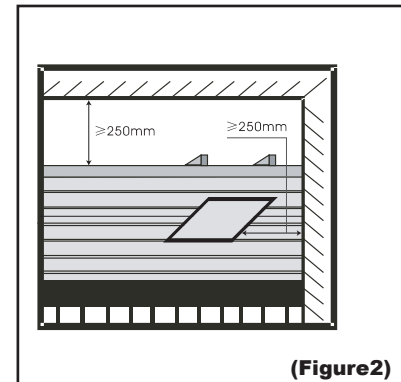
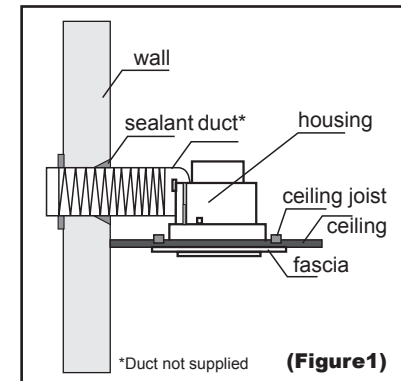
Pull the fascia a little, press the fascia retaining springs backside and remove the fascia.

5) Wiring (Ensure the power is turned off). Please comply with the local wiring rule when wiring.

Wire the unit as per the wiring diagram. (Figure 3)

6) Position the housing into the hole

Choose an optimal direction to put the housing into the hole in accordance with the position of fan outlet. Fit the fan outlet to the in-house end of the duct, then put the body of the unit into the hole in the ceiling.



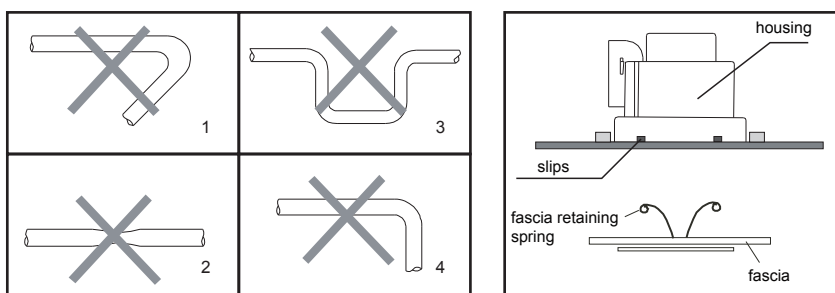
INSTALLATION INSTRUCTIONS AND HOLE-CUTTING TEMPLATE

Note: Try to keep the redundant wire away from the housing.

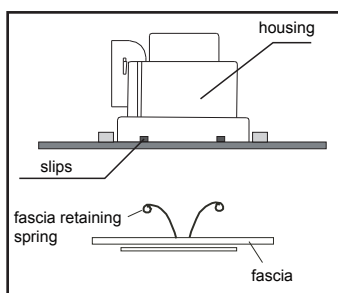
Note: The shortest, smooth surface duct with the least elbows will provide optimum fan performance. Please keep the duct as straight as possible. (Figure 4)

Note: Ensure the 4 slips are drawn back so the unit can be easily pushed into the hole in the ceiling.

Note: It is highly recommended that interconnected wire be laid into the wall beforehand for the purpose of keeping an integrated look in the bathroom.



(Figure4)



(Figure5)

7) Fasten the unit on the ceiling

Push the 4 slips outwards and then tighten the screws until the clips can clamp the ceiling tightly. (Figure 5)

8) Replace the fascia

Put the two fascia retaining springs into the two slots in the unit and make sure the fascia is well fixed.

USE

Running the fan can exhaust odours and steam in a quick and efficient way.

Note: Shut off power urgently when any abnormalities occur in operation. Then call your local licensed electrician for inspection or necessary service work.

Note: It is absolutely prohibited to insert finger or thin bar to the fascia for avoiding being injured or damaging the unit.

MAINTENANCE

- 1) Shut off power before cleaning or maintenance.
- 2) Wipe fascia with care using a soft cloth soaked with water or neutral detergent. Ensure the motor or other electrical parts can not touch the water.
- 3) Replace the fascia after it is dry thoroughly.

WARRANTY

This unit is warranted against defects in manufacturing and workmanship for a period of 2 years. The warranty does not extend to installation of the unit or any associated wiring or any damage caused by installation or wiring.

The installation must be conducted by a licensed electrician and a suitable certificate of safety is to be issued by the electrician who installed the unit. Warranty claims will be voided unless a certificate of safety can be produced when required, prior to service or repair.

This warranty does not cover damages or loss caused by:

- 1) Any consequential losses arising from incorrect installation or operation or maintenance of this product.
- 2) Any consequential losses arising from incorrect wiring of this product.
- 3) Any modifications or changes made to the unit, other than those recommended by the Manufacturer.

MAIN TECHNICAL PARAMETERS

Model No.	Input	Power	Noise	Air volume	Hole-cutting size
CMFAN07 CMFAN10 CMFAN11	220-240V~50Hz	23-30W	45dB(A)	200m ³ /h	245 x 245mm

SAA CE



It indicates product should not be disposed with other household wastes in order to prevent possible harm to the environment or human health, take this product for environment safe recycling.

LIST OF COMPONENTS SUPPLIED

Main fascia with body	1 piece each
Installation instruction and hole-cutting template	1 piece

Fill out the following details and file along with your purchase receipt and certificate of safety.

Model No.: _____

Purchased from: _____

Purchased date: _____

We reserve the rights to revise this instruction without any prior notice.

READ AND SAVE THESE INSTRUCTIONS!

HOLE-CUTTING SIZE 245 x 245mm