

AEG

POWERTOOLS

BHPL18

Original instructions

Important!

This appliance is not intended for use by persons (including children) with reduced physical, sensory or mental capabilities, or lack of experience and knowledge, unless they have been given supervision or instruction concerning use of the appliance by a person responsible for their safety. Children should be supervised to ensure that they do not play with the appliance.

It is essential that you read the instructions in this manual before assembling, operating, and maintaining the product.

Subject to technical modifications.

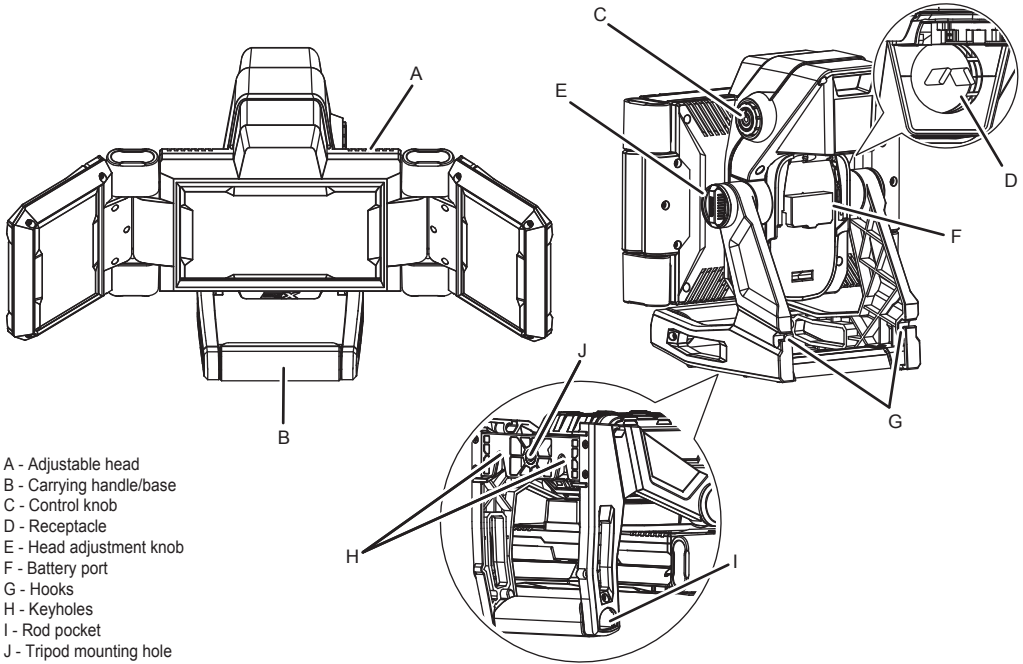


Fig. 1

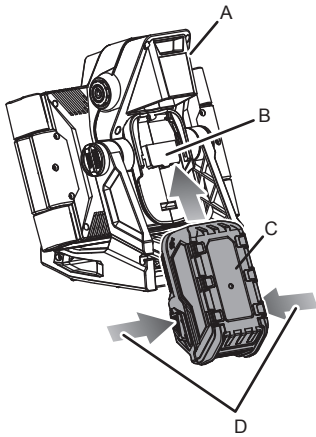


Fig. 2

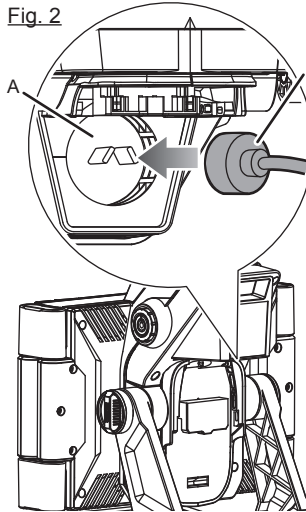


Fig. 3

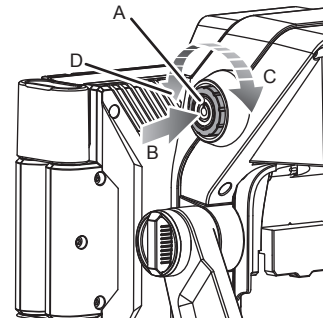
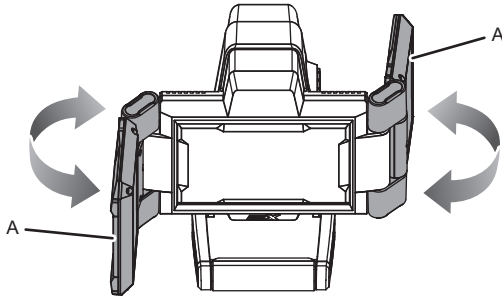
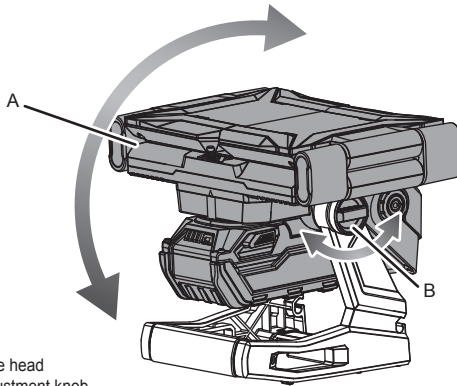


Fig. 4



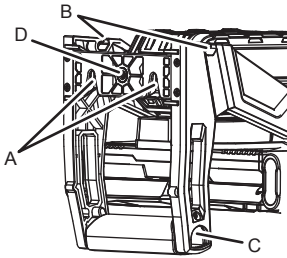
A - Adjustable LED panels

Fig. 5



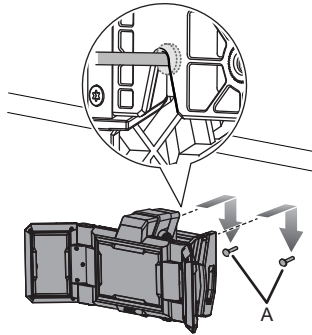
A - Adjustable head
B - Head adjustment knob

Fig. 6



A - Keyholes wall mount holes
B - Hooks
C - Rod pocket
D - Tripod mounting hole

Fig. 7



A - Screws placed 12 mm apart

Fig. 8

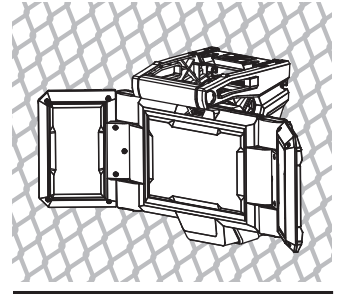
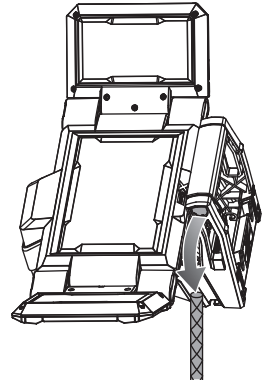


Fig. 9



**TECHNICAL DATA****18V HYBRID FOLDING PANEL LIGHT****BHPL18**

Rated voltage	18V --- / 220 - 240V~, 50Hz
Power	30 watts
Light output	2500 lumens
Colour rendering index (CRI)	80
Correlated colour temperature (CCT)	5000 K
Runtime (6.0 Ah at low setting)	Up to 25 hours

BATTERY AND CHARGERCompatible battery pack
(not included)Compatible charger
(not included)L1815R
L1820R
L1825R
L1830R
L1840R
L1850R
L1860RAL1218G
BL1218
BLK1218
BL18DP-X5

Use AEG 18V battery and charger only

⚠ WARNING! Read all safety warnings and all instructions. Failure to follow the warnings and instructions may result in electric shock, fire and/or serious injury. **Save all warnings and instructions for future reference.**

PANEL LIGHT SAFETY WARNINGS

Know your product. Read operator's manual carefully. Learn its applications and limitations, as well as the specific potential hazards related to this product. Following this rule will reduce the risk of electric shock, fire, or serious injury.

Do not permit children to use the panel light. It is not a toy.

The product is not designed to operate in wet or damp conditions.

Carefully position the power cord during use. A power cord in your walking path can be a tripping hazard.

If wrapped or in contact with fabrics, the panel light lens can produce sufficient heat to melt some fabrics. To avoid serious personal injury, never allow the panel light lens to come in contact with anything.

Do not place hands or fingers between adjustable head and frame when positioning panel light to avoid possible pinching.

Battery tools do not have to be plugged into an electrical outlet; therefore, they are always in operating condition. Be aware of possible hazards when not using your battery tool or when changing accessories. Following this rule will reduce the risk of electric shock, fire, or serious personal injury.

Do not place the product or their batteries near fire or heat. This will reduce the risk of explosion and possibly injury.

To reduce the risk of personal injury and electric shock, the product should not be played with or placed where small children can reach it.

To reduce the risk of electric shock, do not expose to water or rain.

Save these instructions. Refer to them frequently and use them to instruct others who may use this tool. If you loan someone this tool, loan them these instructions also to prevent misuse of the product and possible injury.

Do not direct the light beam at persons or animals and do not

stare into the light beam yourself (not even from a distance). Staring into the light beam may result in serious injury or vision loss.

Use only with recommended battery pack and charger. Any attempt to use another battery pack will cause damage to the product and could possibly explode, cause a fire, or personal injury.

Do not disassemble the product.

Do not store the product in a damp or wet location, or in a location where the temperature may reach or exceed 40°C (104°F). For example, inside sheds, vehicles, or metal buildings in the summer.

The product is non-dimmable; do not connect with any dimmers.

Always power the product from a standard domestic supply. Power from generators or inverters may cause the product to malfunction.

Check damaged parts. Before further use of the product, a part that is damaged should be carefully checked to determine that it will operate properly and perform its intended function. Do not use the product if it does not function properly.

Have the product repaired by a qualified person. The product is in accordance with the relevant safety requirements. Repairs should only be carried out by qualified person using original spare parts, otherwise this may result in considerable danger to the user.

The light source contained in this luminaire shall only be replaced by the manufacturer or his service agent or a similar qualified person.

ASSEMBLY**⚠ WARNING**

Do not use this product if it is not completely assembled or if any parts appear to be missing or damaged. Use of a product that is not properly and completely assembled or with damaged or missing parts could result in serious personal injury.



⚠ WARNING

Do not attempt to modify this product or create accessories or attachments not recommended for use with this product. Any such alteration or modification is misuse and could result in a hazardous condition leading to possible serious personal injury.

OPERATION

⚠ WARNING

Do not direct the light beam at persons or animals and do not stare into the light beam yourself (not even from a distance). Staring into the light beam may result in serious injury or vision loss.

⚠ WARNING

Do not allow familiarity with tools to make you careless. Remember that a careless fraction of a second is sufficient to inflict serious injury.

⚠ WARNING

Do not use any attachments or accessories not recommended by the manufacturer of this tool. The use of attachments or accessories not recommended can result in serious personal injury.

APPLICATIONS

You may use this tool for the purpose listed below:

- General illumination of most work area spaces

This product is designed to be powered by either a 18V battery pack (DC mode) or by electric power (AC mode). Either power source can be used by installing an approved battery pack or power cord into the product as described in this manual.

INSTALLING/REMOVING BATTERY PACK

See Figure 1.

Rotate the adjustable head forward as needed to gain access to the battery port.

- Insert the battery pack into the product as shown.
- Make sure the latches on each side of the battery pack snap into place and the battery pack is secured before beginning operation.
- Depress the latches to remove the battery pack.

⚠ WARNING

Always remove battery pack or unplug extension cord from your product when you are assembling parts, making adjustments, cleaning, or when not in use. Removing battery pack or unplugging extension cord will prevent accidental starting that could cause serious personal injury.

INSTALLING/REMOVING POWER CORD

See Figure 2.

⚠ WARNING

Do not route cord under carpets, rugs, runners, furniture, or appliances and always route cord away from traffic areas to prevent a tripping hazard.

- Insert the female end of the power cord into the product as shown.
- Connect the male end of the power cord to the power source. Make sure the power cord is seated securely before beginning operation.
- To remove the power cord, disconnect the cord from the power source and then from the rear of the light.

OPERATING THE PANEL LIGHT

See Figures 3 - 4.

⚠ WARNING

Hybrid tools are always in operating condition. Therefore, the product should always be in the OFF status, with the battery pack removed and power cord disconnected, when not in use. Do not leave light on while unattended. Failure to follow these instructions could result in serious personal injury.

- Install battery pack or connect product to an AC power supply.
- Press the on/off/brightness knob to turn panel light on and off.
- Rotate the on/off/brightness knob to choose the desired light intensity. Rotating counterclockwise will give less light; rotating clockwise will give more light.
- Place the light's adjustable panels in the positions needed to direct light as desired.

⚠ WARNING

Keep panel light away from combustible materials. If wrapped or in contact with fabrics, the panel light lens can produce sufficient heat to melt some fabrics. To avoid serious personal injury, never allow the panel light lens to come in contact with anything.

ADJUSTABLE HEAD

See Figure 5.

⚠ CAUTION

Do not place hands or fingers between adjustable head and frame when positioning panel light to avoid pinching your fingers or hands.

In addition to adjusting the individual LED panels of the light, the adjustable head can also be set in a variety of positions. To adjust positions:

- Loosen the head adjustment knob.
- Adjust head to desired position.
- Tighten knob to secure.

MOUNTING/HANGING THE PANEL LIGHT

See Figures 6 - 9.

In addition to sitting upright on its base on a flat surface, the panel light offers a variety of hanging and mounting options in both the vertical and horizontal position to suit your specific location and needs.



NOTE: Be careful not to position the panel light in such a way that prevents normal operation or damages the cord.

⚠ WARNING

Only hang or mount the panel light in an area where no electrical wires, utility cables, pipes, or other obstructions are located. Contact your local utility company or a qualified electrician if you are unsure. Do not hang panel light from any electrical power cord. Ensure panel light is securely installed to prevent falling object hazard. Failure to follow these instructions can result in electrocution, electrical shock, or other serious personal injury.

Hanging the panel light using the keyholes:

- Install two screws approximately 12mm apart.
- Place the wide portion of the keyholes over the heads of screws.
- Slide the panel light down until the screws are inside the narrow portion of the keyholes and the panel light is secure.

Hanging the panel light using the hooks:

- Hang the panel light from a sturdy location like a fence using the built-in hooks.

Mounting the panel light to a rod using the rod pocket:

- The panel light can be mounted on rebar, a rod or tube using the pocket on the base of the panel light.

NOTE: The mounting post must have a diameter less than 10mm.

OVER TEMPERATURE PROTECTION

If overheating occurs, the panel light will attempt to cool itself by dimming. If dimming does not cool the light sufficiently, it will shut off. As soon as the unit reaches normal operating temperature, it can be turned on again. If the panel light shuts off, allow approximately 10 minutes of cool-down time before attempting to resume operation.

BATTERIES

Battery packs which have not been used for some time should be recharged before use.

Temperatures in excess of 50°C (122°F) reduce the performance of the battery pack. Avoid extended exposure to heat or sunshine (risk of overheating).

The contacts of chargers and battery packs must be kept clean.

For an optimum life-time, the battery packs have to be fully charged, after used.

To obtain the longest possible battery life remove the battery pack from the charger once it is fully charged.

For battery pack storage longer than 30 days:

- Store the battery pack where the temperature is below 27°C and away from moisture.
- Store the battery packs in a 30% - 50% charged condition.
- Every six months of storage, charge the pack as normal.

TRANSPORTING LITHIUM BATTERIES

Lithium-ion batteries are subject to the Dangerous Goods Legislation requirements.

Transportation of those batteries has to be done in accordance with local, national and international provisions and regulations.

- The user can transport the batteries by road without further requirements.
- Commercial transport of Lithium-Ion batteries by third parties is subject to Dangerous Goods regulations. Transport preparation and transport are exclusively to be carried out by appropriately.

trained persons and the process has to be accompanied by corresponding experts.

When transporting batteries:

- Ensure that battery contact terminals are protected and insulated to prevent short circuit.
- Ensure that battery pack is secured against movement within packaging.
- Do not transport batteries that are cracked or leak.

Check with forwarding company for further advice

BATTERY PACK PROTECTION

The battery pack has overload protection that protects it from being overloaded and helps to ensure long life. Under extreme stress the battery electronics switch off the machine automatically. To restart, switch the machine off and then on again. If the machine does not start up again, the battery pack may have discharged completely. In this case it must be recharged in the battery charger.

MAINTENANCE

The ventilation slots of the machine must be kept clear at all times. Use only AEG accessories and AEG spare parts. Should components need to be replaced which have not been described, please contact one of our AEG service agents (see our list of guarantee/service addresses).

If needed, an exploded view of the tool can be ordered. Please state the Article No. as well as the machine type printed on the label and order the drawing at your local service agents or directly at:

Techtronic Industries (Australia) Pty. Ltd.

PO Box 1065
Mount Waverley VIC 3149
Tel. no. 1300 361 505
Australia

Techtronic Industries N.Z. Ltd.

PO Box 12-806
Penrose AUCKLAND 1642
Tel no. 0800 279 624
New Zealand

SYMBOLS



Safety alert



Regulatory Compliance Mark (RCM). Product meets applicable regulatory requirements.



Please read the instructions carefully before starting the machine.



Class II, double insulated



Do not dispose of electric tools together with household waste material. Electric tools and electronic equipment that have reached the end of their life must be collected separately and returned to an environmentally compatible recycling facility.



AEG

POWERTOOLS

www.aegpowertools.com.au
www.aegpowertools.co.nz

Techtronic Industries GmbH
Max-Eyth-Straße 10
71364 Winnenden
Germany

Techtronic Industries (Australia) Pty. Ltd.
31 Gilby Road,
Mount Waverley VIC 3149,
Australia

Techtronic Industries N.Z. Limited
2 Landing Drive, Mangere,
Auckland, New Zealand 2022