

Cosmo Care

Sanitary Compartment For People with Ambulant Disabilities

4.5/3 litre Dual Flush Toilet Suite



A contemporary designed 4.5/3 litre dual flush **Cosmo Care** toilet suite installation designed to provide a raised seat height of between 460-480mm for disabled people . The pan features a concealed trap which facilitates easy cleaning. The versatility of the **Cosmo Care Pan Concealed Trap** makes it ideal for use by both the ambulant person with disabilities and wheel-chair users including wheeled commode chairs.

Important: Reference must be made to AS 1428.1-2009 with current amendments for people with ambulant disability requirements. The dimensions in this sheet may change with amendments to the standard.

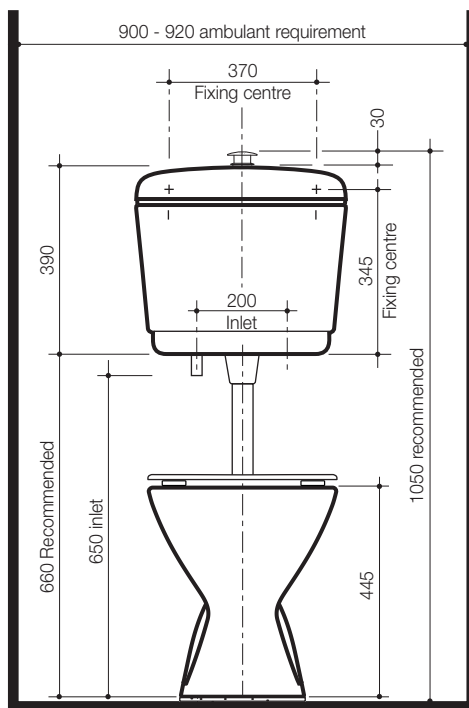
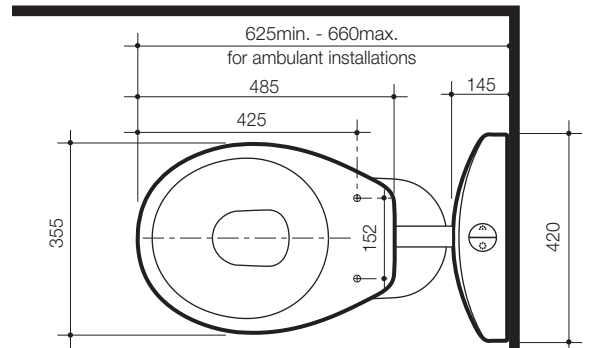
- Pan:** **Cosmo Care Pan Concealed Trap** pan 4.5 litre full flush washdown type.
- Traps:** S trap (WELS 4 star rated) or P trap (WELS 4 star rated). Unvented only.
- Inlet:** 50mm back inlet.
- Cistern:** **Cosmo 4 Star Cistern** – A one piece injection moulded tank with a removable lid. The inlet valve is the Quietflow 2 inlet valve which reduces noise during the filling cycle.
Important: Working pressure minimum 30kPa to maximum 1000kPa flow pressure. Rain water tank compliant.
- Buttons:** Round Care Button - Plastic (supplied). Other button options sold separately. See section 16.01 for further details.
- Inlet and Overflow:** Inlet is in the RH position and is located on the underside of the cistern and is interchangeable. Overflow is internal as standard, an external overflow kit is available.
- Seats:** **Caravelle Care** seat supplied, available in Caroma white (W), sorrento blue (SB) and majestic grey (MG - available end of 2011). See Section 15 - SEATS for further details.
- Position of the Pan:** Refer to below illustration for specific setout dimensions for this suite to meet projection requirements for people with ambulant disabilities.
- Colours:** White only.
- Installation:** The installation of the toilet suite shall be in accordance with the normal minimum drainline grade requirements in AS/NZS 3500.2.
- Dimensions:** All dimensions are in millimetres and are subject to normal manufacturing variations. Caroma pursues a policy of continuing improvement in design and performance of its products. The right is therefore reserved to vary specifications without notice.

Note: The projection requirements for people with ambulant disabilities is 610 to 660mm.

All height dimensions to underside of pan, make allowance for mortar bedding.

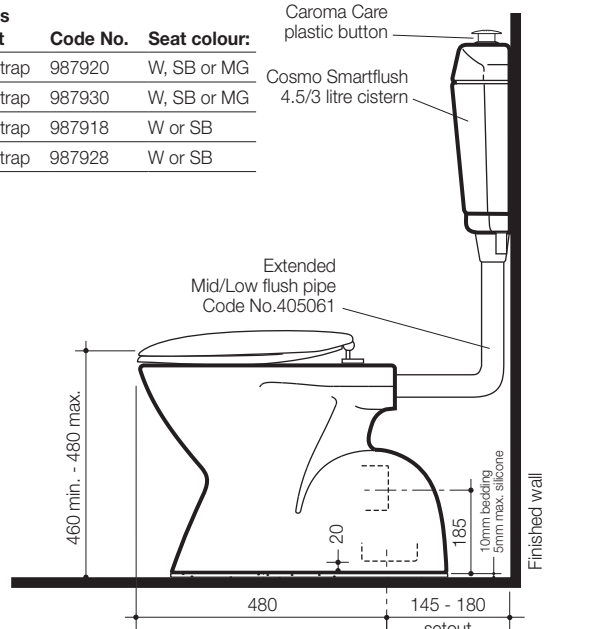
Mortar bedding: The pan should be fixed to the floor with a sand cement mixture of 3:1 to a depth of 60mm. When bedded the back of the foot of the pan should be approximately 10mm above the finished floor.

Screw fixing: The pan should be bedded with an acetic cured silicone sealant and fixed with corrosion resistant screws and pan guard washers. Use Caroma pan fixing kit. Code No.601150.



Cosmo Care Toilet Suites with Caravelle Care Seat			
		Code No.	Seat colour:
Single Flap	S trap	987920	W, SB or MG
	P trap	987930	W, SB or MG
Double Flap	S trap	987918	W or SB
	P trap	987928	W or SB

Caroma Care plastic button
Cosmo Smartflush 4.5/3 litre cistern



* Reference must be made to the AS 1428.1-2009 Amd 1 to confirm installation requirements.