

Lasertec

LDH3

HYBRID DETECTOR AND CLAMP



INSTRUCTION MANUAL

SAFETY

Read the following safety instructions before attempting to operate this product.

SAVE ALL WARNINGS AND INSTRUCTIONS FOR FUTURE REFERENCE.



WARNING: Read and understand all instructions.

- Use the detector only with the specifically designated battery.
- Store the detector out of reach of children and other untrained persons.
- Use only accessories that are recommended for your model.
- Tool service must be performed only by qualified repair personnel. Repairs, service or maintenance performed by unqualified personnel will void the warranty. Only approved and authorised service technicians can carry out warranty repairs.



WARNING: DO NOT DISASSEMBLE THE DETECTOR.

There are no user serviceable parts inside. Disassembling the detector will void all warranties on the product. Do not modify the product in any way.

ITEM CHECKLIST

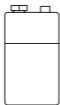
Please ensure the following items are included with your detector. If anything is missing please contact your retailer.



Lasertec LDH3 detector



Staff clamp



Alkaline battery

PRODUCT OVERVIEW

DETECTOR FRONT

Bubble vial

Sensor panel

LED direction indicator

LED centre indicator

LED direction indicator

LED power indicator

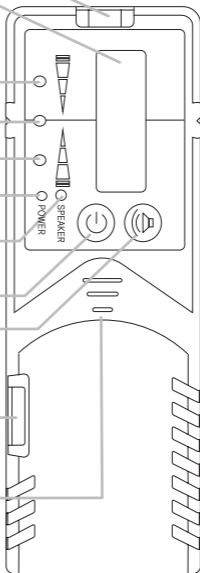
LED speaker indicator

Power on / off

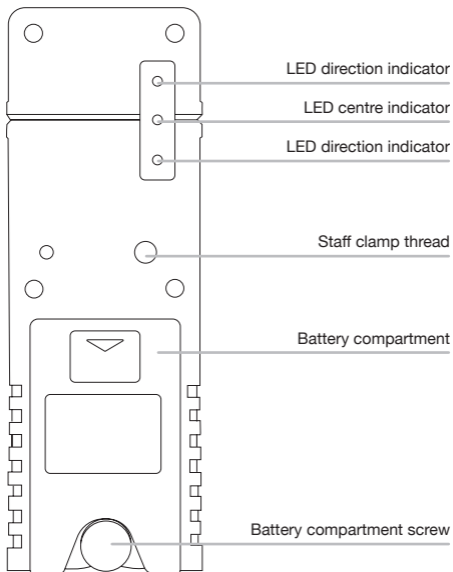
Speaker on / off

Bubble vial

Speaker



DETECTOR BACK



USING YOUR DETECTOR

POWER SUPPLY

- The instrument is supplied with one 9v alkaline battery as its standard power source.

Removing & inserting the alkaline battery

- Unscrew the battery compartment screw and remove the battery cover door and the battery.
- Insert the battery according to polarity and replace the battery door.

SET UP

Mounting the staff clamp

- Insert the staff clamp screw into the staff clamp thread.
- Rotate the nut until the clamp is secured in place.

OPERATION

Powering on

- Switch the detector on by pressing the *power* button. The speaker will emit a small tone to indicate the instrument is operating.

Speaker function

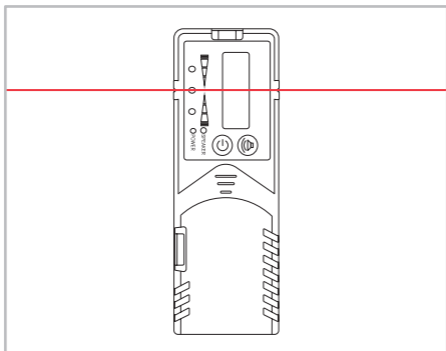
- Press the *speaker* button to turn the speaker off. Press again to turn the speaker on and cycle between the speaker volumes.

Operation with a multi-line laser level

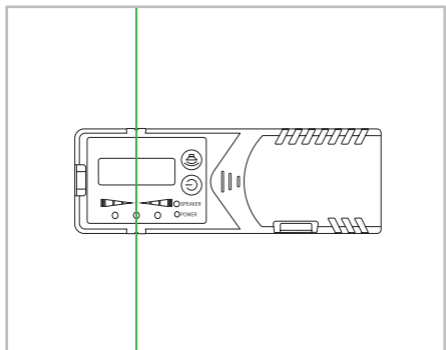
- Move the detector into the path of the laser beam.
- Hold the detector upright for horizontal beams or rotate 90° for vertical beams.
- The LED direction indicators will indicate the position of the laser beam. The centre LED will indicate alignment with the beam.



This instrument is compatible with all **Lasertec** red and green beam multi-line laser levels with detector capability and most 3rd party red and green beam laser levels with detector capability. Check the instruction manual of your laser level for more information on setting up the laser level for detector use.



Detector position for horizontal beams



Detector position for vertical beams

WARRANTY

The Lasertec LDH3 comes with a 1 year manufacturers warranty.

AUSTRALIA

"Our goods come with guarantees that cannot be excluded under the Australian Consumer Law. You are entitled to a replacement or refund for a major failure and for compensation for any other reasonably foreseeable loss or damage. You are also entitled to have the goods repaired or replaced if the goods fail to be of acceptable quality and the failure does not amount to a major failure."

For more information please visit consumerlaw.gov.au

NEW ZEALAND

For more information please visit consumerprotection.govt.nz

CUSTOMER SUPPORT

To assist you with any queries or technical questions please contact customer support

Australia: 1300 658 338

New Zealand: 0800 367 527

SPECIFICATIONS

Specifications	Lasertec LDH3
Product code	91820
Warranty	1 Year
Speaker decibel (maximum)	70
Battery type	1x 9v
Weight (kg)	0.159
Dimensions (mm)	159 x 55 x 20



www.spoton.com.au