

# INSTALLATION, OPERATION & MAINTENANCE INSTRUCTIONS

FOR EVERDURE RANGE HOOD



Models Included:

**RBES63**

**RBES91**

**RBES92**



everdure

DESIGNED TO PERFECTION

# INSTALLATION, OPERATION AND MAINTENANCE INSTRUCTIONS FOR EVERDURE RANGE HOOD RBES63, RBES91, RBES92

## CONTENTS

| SECTION                                 | PAGE NO. |
|-----------------------------------------|----------|
| Important Safety Instructions.....      | 3        |
| Appliance Details .....                 | 4        |
| General Information .....               | 4        |
| What Is Supplied .....                  | 4        |
| What May Be Needed For Installation ... | 4        |
| Installation Instructions .....         | 4-6      |
| Operating Instructions .....            | 7-8      |
| Cleaning .....                          | 9        |
| Troubleshooting .....                   | 10       |

It is important that you retain these instructions, proof of purchase as well as other important documents about this product for future reference.

## IMPORTANT SAFETY INSTRUCTIONS

**IMPORTANT:** Read the assembly instruction section and safety precautions of this booklet carefully before removing the contents of this carton.

1. In certain circumstances electrical appliances may be a danger hazard.
2. This appliance is not intended for use by persons (including children) with reduced physical, sensory or mental capabilities, or lack of experience or knowledge, unless they have been given supervision or instruction concerning the use of the appliance by a person responsible for their safety. Children should be supervised to insure that they do not play with the appliance.
3. Do not check the status of the filters while the cooker hood is operating.
4. Do not touch the light bulbs after appliance use.
5. Do not disconnect the appliance with wet hands and do not disconnect the power cord with extreme force.
6. Do not flambé underneath range hood.
7. Avoid free flame, as it may cause damage to the filters and be a fire hazard.
8. If frying food, ensure to check regularly to avoid the oil overheating and becoming a fire hazard.
9. Unplug the appliance before carrying out maintenance or replacing lamps.
10. If the power cord is damaged, it must be replaced the manufacturer, an authorized service centre or similarly qualified persons to avoid a hazard.
11. Indoor use only.
12. When the appliance is not in use and before cleaning, unplug the appliance from the outlet.
13. It is recommended to operate the range hood prior to cooking.
14. It is recommended to leave the range hood in operation for 15 minutes after cooking is terminated in order to completely eliminate cooking vapours and odours.
15. Turn off the range hood when not in use.
16. Don't use or stop use if the range hood is damaged especially the supply cord and the case.
17. Don't immerse the range hood in liquid.
18. The exhaust air must not be discharge into a flue which is used for exhausting fumes from appliance burning gas or other fuels (not applicable to appliances that only discharge the air back into the room).
19. Regulations concerning the discharge of air have to be fulfilled. There shall be adequate ventilation of the room when the range hood is used at the same time as appliances burning gas of other fuels.
20. Clean the surface of the cooker hood regularly using cloth moistened with denatured alcohol of non abrasive liquid detergent.
21. There is a fire risk if cleaning is not carried out in accordance with the instruction.
22. The 600mm unit is intended for use above hobs with four elements and the 900mm units are intended for use above hobs units with five elements.
23. If the instruction for the minimum distance between the supporting surface of the cooking vessels on the hob and the lowest part of the range hood are specified by hob instructions, these instructions should be taken into account.



**DO NOT**

**OPERATE THIS APPLIANCE BEFORE READING THE INSTRUCTION BOOKLET**

## APPLIANCE DETAILS

|                    |                        |
|--------------------|------------------------|
| Voltage:           | 220-240V               |
| Frequency:         | 50Hz                   |
| Lamp Max:          | 2x20W G4 halogen lamps |
| Rated Input Power: | 230W                   |

## GENERAL INFORMATION

Before installing and operating the range hood, carefully read the following important information regarding installation safety and maintenance. Keep this information booklet accessible for further consultations. The appliance has been designed to exhaust cooking fumes externally. Before installation, please ensure that the following have been supplied and that the tools listed below are readily available.

## WHAT IS SUPPLIED

Range hood (including one way valve for flue x 1) x 1  
 Installation kit x 1 – RBES63 & RBES91: Short bolts x 10, long screws x 7, plastic plugs x 7  
 Installation kit x 1 – RBES92: Short bolts x 8, Medium bolts x 4, long screws x 7, plastic plugs x 7  
 Mounting brackets x 3  
 Instruction booklet x 1

## WHAT MAY BE NEEDED FOR INSTALLATION

|                |                                        |
|----------------|----------------------------------------|
| Electric Drill | Duct Tape                              |
| Tape Measure   | Jig Saw                                |
| Spirit Level   | Ladder                                 |
| Screwdrivers   | Torch (If natural lighting is minimal) |

## INSTALLATION INSTRUCTIONS

Please ensure that before installing the range hood, all power is switched off. Installation must be in accordance to the local electrical authority and codes. This range hood must be earthed at all times for the operators' safety. The G.P.O. for the range hood should be positioned to enable the user to turn the power off, to enable cleaning and any maintenance required. The G.P.O. should be installed within 600mm from the rear of the unit. Ensure that when installing the range hood, that it is protected from any possible damage from tools etc. Ducting for this unit must be installed in accordance to the local authority. Ensure that the fixings used for this range hood are suitable. Check the area where the range hood is to be fitted, to ensure that it is structurally sound.

The Everdure RBES63, RBES91 & RBES92 range hoods are intended to be installed directly onto a wall.

## INSTALLATION OF THE EVERDURE RBES63 & RBES91 RANGE HOODS DIRECTLY TO A WALL

Ensure that the wall is structurally sound, and is capable of carrying the weight of the range hood. The range hood can be placed at a minimum of 600mm away from an electric cooktop, or 650mm minimum from a gas cooktop. The unit is held to a wall via 3 brackets (supplied with the unit):

1. Hook Bracket.
2. Centre Bracket (flat).
3. Top Bracket (U-shaped).

Place the hood main unit (no u-shaped section) against the wall at the correct position and mark off the top of the unit. Remove the unit and measure up 22mm to get the top level for the hook bracket. Place the hook bracket (hooks up) under the mark and mark in the 3 screw holes. Remove the bracket and drill three (3) Ø8mm holes 100mm apart. Insert plastic plugs into the holes and fix the hook bracket onto the wall. Place the hood main unit onto the hooks. See pic2.

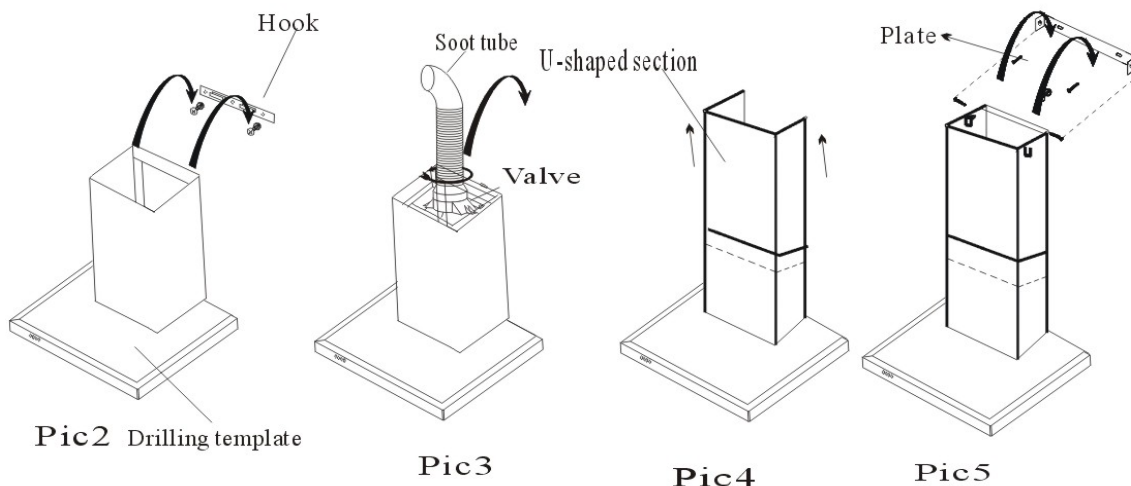
Screw the centre bracket onto the back of the u-shaped section using the supplied short screws (this helps keep the width at the back even with the front). Place the u-shaped section onto the main unit and fix in place with 2 short screws.

Add the soot tube to the one way valve, and vent it outside. See pic3.

Calculate the final height of the u-shaped section and pull out the inside u-shaped section to a suitable height (see pic4) to check. Mark the 2 sides near the top and push the inner section out of the way. Place the top bracket (slots to the bottom) centred between the 2 marks, mark the 2 screw holes. Remove the bracket and drill two (2) Ø8mm holes at the marks. Insert plastic plugs into the holes and fix the hook bracket onto the wall (slightly loose). Note: The top edge of the u-shaped bracket matches the top edge of the u-shaped section – adjust according to your own needs.

Pull up the inside u-section to allocate the top bracket correctly, and tighten the screws. Pull the u-section over the bracket completely and fix into place with 2 screws at the sides (see pic5).

For timber framed houses, special care should be taken that all brackets are attached to areas that will support the weight of the range hood.



## INSTALLATION OF THE EVERDURE RBES92 RANGE HOOD DIRECTLY TO A WALL

Ensure that the wall is structurally sound, and is capable of carrying the weight of the range hood. The range hood can be placed at a minimum of 600mm away from an electric cooktop, or 650mm minimum from a gas cooktop. The unit is held to a wall via 3 brackets (supplied with the unit):

1. Hook Bracket.
2. Centre Bracket (flat).
3. Top Bracket (U-shaped).

Place the hood main unit (no u-shaped section) against the wall at the correct position and mark off the top of the unit. Remove the unit and measure up 20mm to get the top level for the hook bracket. Place the hook bracket (hooks up) under the mark and mark in the 3 screw holes. Remove the bracket and drill three (3) Ø8mm holes 115mm apart. Insert plastic plugs into the holes and fix the hook bracket onto the wall. Place the hood main unit onto the hooks. See pic1.

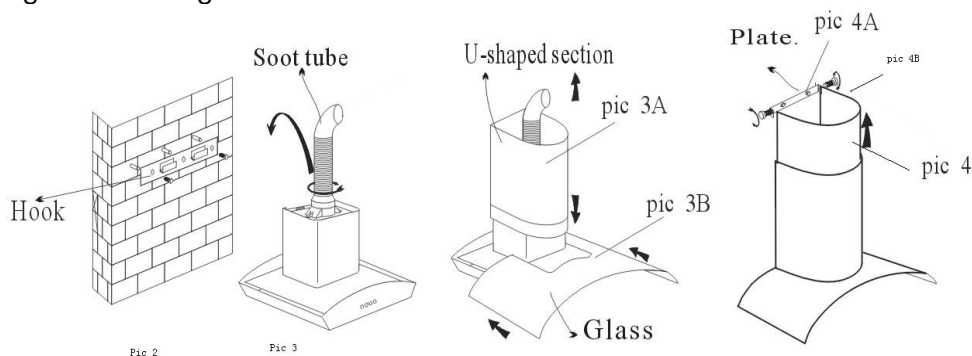
Add the soot tube to the one way valve, and vent it outside (See pic2).

Screw the centre bracket onto the back of the u-shaped section using the supplied short screws (this helps keep the width at the back even with the front). Place the u-shaped section onto the main unit and fix in place with 2 short screws (see pic3A). Slide the glass into position and fix into place with 4 screws (see pic3B).

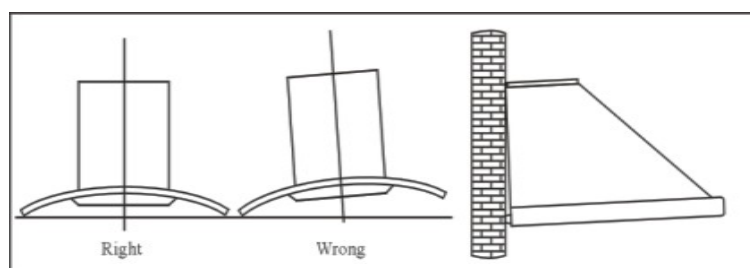
Calculate the final height of the u-shaped section and pull out the inside u-shaped section to a suitable height (see pic4) to check. Mark the 2 sides near the top and push the inner section out of the way. Place the top bracket (slots to the bottom) centred between the 2 marks, mark the 2 screw holes. Remove the bracket and drill two (2) Ø8mm holes at the marks. Insert plastic plugs into the holes and fix the hook bracket onto the wall (slightly loose). Note: The top edge of the u-shaped bracket matches the top edge of the u-shaped section – adjust according to your own needs.

Pull up the inside u-section to allocate the top bracket correctly, and tighten the screws. Pull the u-section over the bracket completely and fix into place with 2 screws at the sides (see pic5).

For timber framed houses, special care should be taken that all brackets are attached to areas that will support the weight of the range hood.



NOTE: Care should be taken that the range hood is fitted correctly (see diagram below). Incorrect installation can cause a build up of grease and oils and cause damage to the unit.



Pic5

NOTE: Remove all protective plastic coatings from the stainless steel surfaces before use.

## OPERATING INSTRUCTIONS

Note: Before the unit can be operated, it must be ducted.  
Connect the plug into the power.

### FOR RBES92 ELECTRONICALLY OPERATED RANGEHOODS

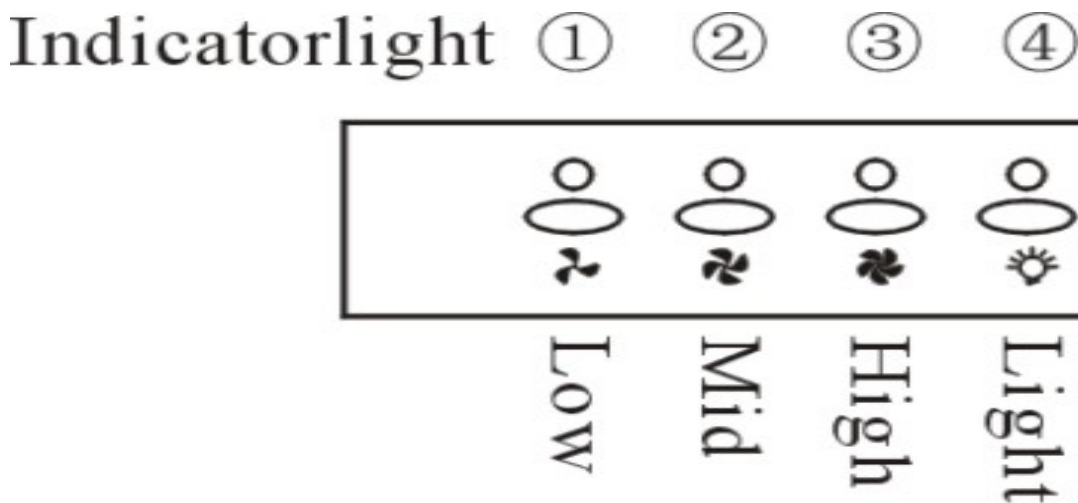
The range hood has indication diagrams to allow you to easily select the fan operating speed required.

Push the low button, indicated by a fan with 3 blades, and the motor will run at a low speed. An indicator light will also illuminate. Push it again and the motor will stop.

Push the medium button, indicated by a fan with 4 blades and the motor will run at a medium speed. An indicator light will also illuminate. Push it again and the motor will stop.

Push the high button, indicated by a fan with 5 blades and the motor will run at a high speed. An indicator light will also illuminate. Push it again and the motor will stop.

Push the light button; the indicating light on, and the two lighting lamps will come on. Push it again and the lamps will turn off.



## FOR RBES63 & RBES91 PUSH BUTTON OPERATED RANGEHOODS

The range hood has indication diagrams to allow you to easily select the fan operating speed required.

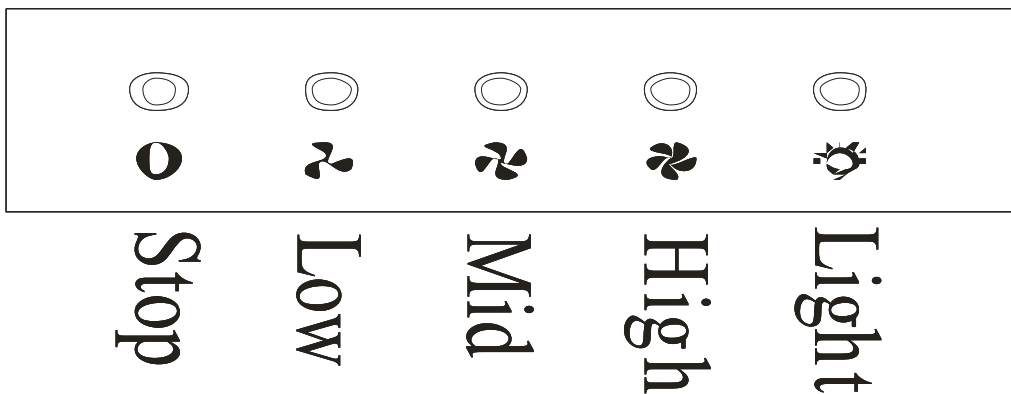
Push the low button, indicated by a fan with 3 blades, and the motor will run at a low speed.

Push the medium button, indicated by a fan with 4 blades and the motor will run at a medium speed.

Push the high button, indicated by a fan with 5 blades and the motor will run at a high speed.

Push stop button, indicated by an (O) and the motor will stop.

Push the light button, indicated by a lit globe and the two lights will come on. Push it again and the light will turn off.





## CLEANING

### SAFETY PRECAUTION

Before cleaning your range hood or performing any maintenance, please ensure that the range hood is turned off at the power point.

Do not use abrasive cleaners to clean the range hood. The use of warm soapy water and a cloth are recommended.

Ensure that the range hood is cleaned regularly, as a build up of grease and fat may occur otherwise. The filters on the range hood must be cleaned regularly to maintain efficiency, and prevent grease build up. It is recommended that this is undertaken every 4 – 6 weeks, depending on frequency of use.

The filters can be cleaned with warm soapy water or a cloth, or they may be washed in a dishwasher. If washed in a dishwasher, discolouration may occur to the mesh and frame.

Cleaning of the range hood must be performed as described above, otherwise there is a possibility of a fire hazard due to grease and fat build up.

The filters on the range hood must be cleaned regularly to maintain efficiency, and prevent grease build up. The filter mesh is made of a high density Stainless Steel. It is recommended that this is undertaken every 4 – 6 weeks, depending on frequency of use.

The filters can be cleaned with warm soapy water or a cloth, or they may be washed in a dishwasher. If washed in a dishwasher, discolouration may occur to the mesh and frame.

## TROUBLESHOOTING

| Fault                                    | Possible Cause                                                        | Solution                                                                     |
|------------------------------------------|-----------------------------------------------------------------------|------------------------------------------------------------------------------|
| Light on, but motor does not work        | The impellor leaf blocked                                             | Get rid of the blockage                                                      |
|                                          | The capacitor damaged                                                 | Replace capacitor (By an authorised person only)                             |
|                                          | The motor bearing damaged or jammed                                   | Replace motor (By an authorised person only)                                 |
|                                          | A bad smell from the motor                                            | Replace motor (By an authorised person only)                                 |
| Light does not work, motor does not work | Light damaged                                                         | Replace lights                                                               |
|                                          | Power cord loose or disconnected                                      | Connect the wires as per the electric diagram (By an authorised person only) |
| Oil leakage                              | One way valve and the air ventilation entrance are not tightly sealed | Take down the one way valve and seal with sealant                            |
|                                          | Leakage from the connection of U-shaped section and cover             | Take U-shaped section down and seal.                                         |
| Shaking of the hood                      | The impellor leaf damaged and causes shaking                          | Replace the leaf (By an authorised person only)                              |
|                                          | The motor is not fixed tightly                                        | Lock the motor tightly (By an authorised person only)                        |
|                                          | The body is not fixed tightly                                         | Fix the body tightly                                                         |
| Insufficient suction                     | The distance between the range hood and the gas top is too far        | Refit the range hood to the correct distance                                 |
| The Range hood inclines                  | The fixing screw not tight enough                                     | Tighten the hanging screw and make it horizontal                             |

NOTE: Any electrical repairs to this appliance must conform to your local, state and federal laws. Please contact the service centre if in any doubt before undertaking any of the above.



A division of Shriro Australia Pty Ltd  
23-27 Chaplin Drive Lane Cove NSW 2066  
1300 766 066  
[www.everdurekitchen.com.au](http://www.everdurekitchen.com.au)

IM Ref: RBES63 27/2009/02FC

**FOR INDOOR USE ONLY**



everdure  
DESIGNED TO PERFECTION