

## WARRANTY CONDITIONS (CONTINUED)

12. Damage to finishes by adhesives, sealants or abrasive cleaners etc.
13. Damage to finishes which arise from installation or post installation use.
14. Damage due to abuse as determined by authorised Service Agent or Caroma.
15. Failure to observe manufacturers care and cleaning instructions.
16. The extended warranty work is limited to the pre-approved scope of work that will be set out in a work order. Additional work will require authorisation from Caroma.

Except to the extent that a customer can demonstrate that at the time of purchase the product was faulty or defective and at that time the customer was not aware of such fault or defect.

**Note:** It is the installer/consumers responsibility to ensure:

- Product is not damaged prior to installation.
- They are happy with their purchase.
- The product has all of its components.
- Required maintenance is performed.

Our products come with guarantees that cannot be excluded under the Australian Consumer Law. You are entitled to a replacement or refund for a major failure and compensation for any other loss or damage. You are also entitled to have the products repaired or replaced if the products fail to be of acceptable quality and the failure does not amount to a major failure.

## GWA BATHROOMS & KITCHENS WARRANTY PERIODS

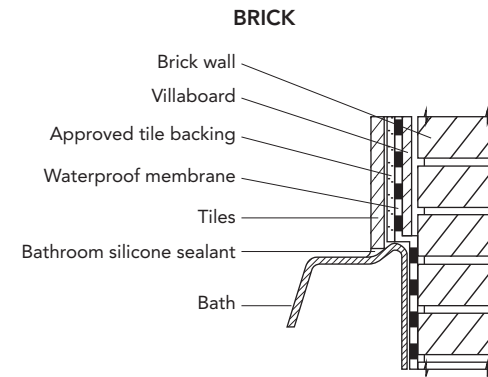
While all Caroma Industries Limited ("Caroma") products are manufactured to the highest standard, in addition to the guarantees provided under the Australian Consumer Law (Schedule 2 to the *Competition and Consumer Act 2010* (Cth) ("**ACL**"), we offer varying extended warranty periods (please refer to below table) from the date of purchase or handover that our products are free from all defects in materials and workmanship, subject to the terms and conditions that follow, for additional peace of mind. We are committed to upholding our position as Australia's leading quality supplier, Technical Support & Customer Service Team, with a dedicated and proven service network striving for ultimate customer satisfaction.

For all After Sales & Service enquiries please contact GWA Bathrooms & Kitchens on 13 14 16.

BATHS		
Range	Warranty	Comments
<b>CAROMA</b>		
Baths - Acrylic & Steel Shell	10/1 Years	10 years bath shell & 1 year labour

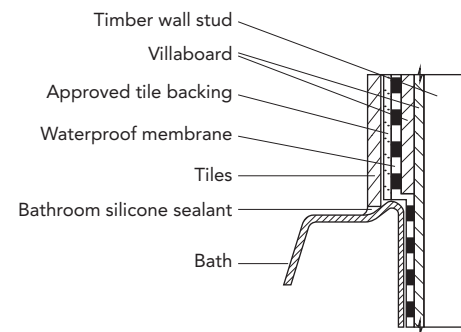
### STEP 7

Finish (tile and grout) wall around the bath. Refer to **Figure 7**. Installation must comply with Building Codes and local authority requirements.



### TIMBER FRAMING

(All timber should not be less than grade F4, with moisture less than 15%)

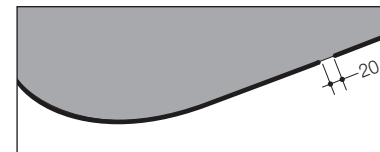


**Figure 7**

Back to wall freestanding bath installation.

### STEP 8

Apply silicone around the base surrounding, leaving a 20mm gap in an inconspicuous position. Refer to **Figure 8**.



**Figure 8**

Silicone applied around base surrounding of bath.

### STEP 9

Rest the bath for a minimum 24 hours to allow the silicone to fully cure.



In Australia

For more information call 1300 CAROMA or go to [www.caroma.com.au](http://www.caroma.com.au)

\* For full warranty terms and conditions, please visit [www.caroma.com.au](http://www.caroma.com.au)

In New Zealand

For more information call 09 279 2700 or go to [www.caroma.co.nz](http://www.caroma.co.nz)

\* For full warranty terms and conditions, please visit [www.caroma.com.au](http://www.caroma.com.au)

© Copyright 2014. Caroma Industries Limited.  
ABN 35 000 189 499  
All rights reserved.

Caroma

## Back to Wall Freestanding Bath (with tiling flange)

Care & Installation Guide

This manual has to be left with the end user

### WARNING:

Before commencing installation, please read these instructions carefully. Installation must comply with all State By-Laws and any requirements imposed by local authorities.

10 YEAR WARRANTY

GWA Smarter Solutions

Date: 12/03/2015  
Revision No: 2

Congratulations on the purchase of your new Caroma bath. We are sure you will have many years of relaxation, turning your bathroom into a stylish retreat.

#### CAROMA ACRYLIC FREESTANDING BATHS

All our products are made from sanitaryware grade acrylic. It resists chipping, will not rust and has excellent heat retention properties. Its high gloss finish has natural slip resistance.

All dimensions are in millimeters and are subject to normal manufacturing variations. Therefore, Caroma reserves the right to vary specifications without notice.

#### CLEANING YOUR BATH

- To preserve the polished surface, after using your bath, clean with soft cloth and warm soapy water to wash away any body oils or soap residue that forms a ring tide mark.
- As a weekly cleaner we recommend warm, soapy water. Do not use powders, pastes, cream cleaners, thinners, window cleaning sprays or dry cleaning liquid, etc.
- Stubborn marks or fine scratches may be polished out with Brasso.
- When coloured essentials oils are used, first test that the colour won't stain your bath. Always add oils into a bath full of water. Never pour them into an empty bath.

**WARNING**  
BEFORE COMMENCING INSTALLATION, PLEASE READ THESE INSTRUCTIONS CAREFULLY. INSTALLATION MUST COMPLY WITH ALL STATE BY-LAWS AND ANY REQUIREMENTS IMPOSED BY THE LOCAL AUTHORITIES

**WARNING**  
NO PUTTIES OR SILICONES CONTAINING LINSEED OIL ARE TO BE USED AS SEALANTS ON THE WASTE. WE RECOMMEND SANITARY GRADE SILICONE.

#### RECEIVING YOUR BATH

- Unpack and check for damage.  
After receiving your bath, please unpack and remove all plastic covering, checking carefully for any damages. Repack the bath if it is not being immediately installed. Caroma reserves the right to reject any claim for damage if not notified in a timely manner.
- Protect your bath.  
Before commencing installation, ensure the bath is completely protected, leave protection film in place until the bathroom is complete. Scratches and cracks incurred during installation are not covered by the warranty.

#### WATER TESTING

Water test your bath prior to enclosing to ensure it drains correctly as no claims for non-draining baths will be valid after enclosing or tiling has been done.

#### DRILLING AND REPAIRS

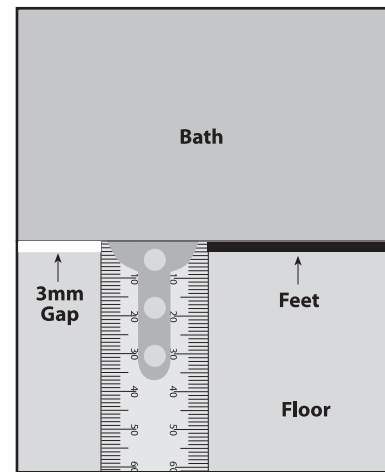
When drilling for taps, use a fine toothed hole saw at less than 1000rpm. Scratches or cigarette burns can be improved with 1200 grade wet & dry sandpaper then repolished with Brasso polishing compound. Always polish scratch in a circular movement.

All materials to comply with appropriate Australian & NZ Standards.

**NOTE: Installation steps below based on unfinished wall and flooring.**

#### STEP 1

Adjust the bath feet until the bath tub base is 3mm above the floor when the floor is finished. This can be done by turning the feet bolts accordingly. When measuring from the unfinished floor, ensure to take the floor finishing (e.g. tile) thickness into consideration.



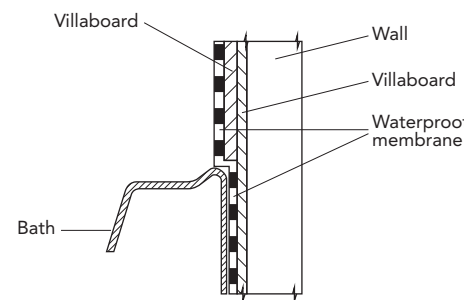
**Figure 1**  
Feet set at 3mm above the floor

#### STEP 2

Mark the floor and outline of the bath, at final installation position with a marking pencil. Ensure to trace the outline of the flat/tiling flange side of the bath on the wall.

#### STEP 3

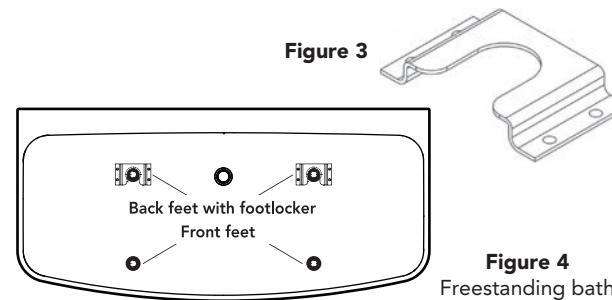
Cut, install and waterproof approved wall lining or villaboard to the marking to provide 10 - 15mm deep cavity on the wall for the bath. Refer to **Figure 2**. Finish flooring.



**Figure 2**  
Wall cavity for bath installation.

#### STEP 4

If using footlocker option, simply drill and secure the footlockers to the floor where the two back feet of the bath will be positioned on final installation. Refer to **Figure 3** and **Figure 4**.

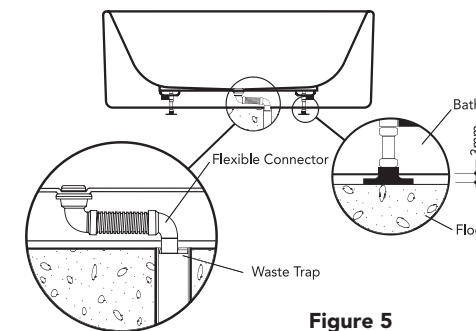


**Figure 4**  
Freestanding bath with footlocker.

#### STEP 5

Carefully tilt bath on its side and use Flexi-Dinger to connect the waste outlet to the drain, as illustrated in **Figure 5**. Make sure to cut the Flexi-Dinger to correct length for ease of installation and to prevent it from bowing upward, as this will result in drainage issue.

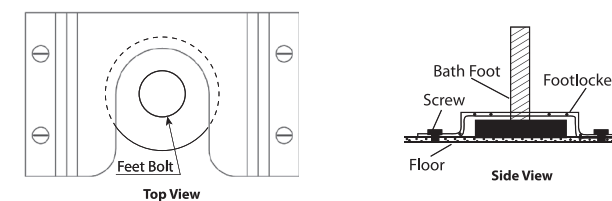
Be sure to protect the bath surface. Damage during installation is not covered by warranty.



**Figure 5**  
Flexi-Dinger installation

#### STEP 6

Apply silicone to the back of the bath, and slide the bath into the cavity (from step 3). Ensure that the bath back feet glide into the footlockers. Refer to **Figure 6**.



**Figure 6**  
Foot installation to footlocker.

## WARRANTY CONDITIONS

This extended warranty only covers Caroma Industries Limited ("Caroma") products, and does not extend to products which you have selected outside our product range.

This extended warranty only applies to defects which have arisen solely from faulty materials or workmanship in the products and does not apply to other defects which may have arisen as a result of, without limitation, the following: accidental damage, abuse, misuse, maltreatment, abnormal stress or strain, harsh or adverse weather conditions, including excessive water pressure or temperature, or neglect of any kind of the products. Alterations and repairs of the products other than by an accredited and licensed service agent or technician are not covered. For the avoidance of doubt, attachment of accessories or use of non-genuine replacement parts other than those manufactured or approved by Caroma are not covered by this extended warranty.

This extended warranty for the products commences from date of purchase or for new buildings on the date of handover for the relevant period set out in the warranty periods table.

In addition to this extended warranty, certain legislation (including the ACL) may give you certain rights which cannot be excluded, restricted or modified, this extended warranty must be read subject to such legislation and nothing in this warranty has the effect of excluding, restricting or modifying those rights.

#### Warranty Claims

To make a warranty claim, the following documentation must be posted or faxed to Caroma (contact details listed below):

- Proof of Purchase ("POP").
- Handover documentation for new homes.
- Warranty Certificate or equivalent documentation must be supplied for warranty claims to be considered.
- Your contact details.

If the product has not been installed, the product can be returned with POP, to the place of purchase. If the cost of returning any defective parts is unreasonable, please contact Caroma on the telephone number listed below so that, if appropriate, we can arrange a collection.

Caroma Industries Limited contact details are as follows:

GWA Bathrooms & Kitchens  
Locked Bag 5005,  
Baulkham Hills BC,  
NSW 2153  
Phone: 13 14 16  
Fax: 1800 818 346  
enquiries@caroma.com.au

**NOTE:** The extended warranty only applies to the original owner and is not transferable.

Should any warranty claim be made and attended to by a Caroma authorised Service Agent and that in the opinion of the Service Agent or Caroma, the problem was from faulty installation or use of the products in conjunction with products of another manufacturer or from some other cause other than a manufacturing defect of the goods for which Caroma is responsible. Caroma Industries Limited reserves the right to charge a service fee for each service staff attending the premises where products have been installed.

As part of Caroma's commitment to continuous improvement, Caroma reserves the right to make changes to its products at any time.

Caroma requires adequate access to products, fittings and fixtures to undertake extended warranty repairs. Caroma will not be responsible for any consequential damage or costs where adequate access to product fittings & fixtures is not accessible.

Caroma reserves the right to provide minor components as 'Parts Only' to the customer.

#### Consequential loss

To the extent permitted by law, Caroma will not be liable for any loss or damage to furniture, floor coverings, walls, fixtures or any other consequential loss of any kind caused by any defect in the products or components.

#### This Extended Warranty shall be void for the following reasons:

1. A customer's inability to provide POP or equivalent documentation.
2. Products are not installed by a licensed plumber and/or electrician.
3. Products are not installed to relevant National Standards and State Regulations.
4. Products are not installed in accordance with the manufacturer's installation instructions.
5. Water pressure and/or temperature that exceeds stated limitations as per the product installation instructions.
6. Fair wear and tear, including scratching from cleaning etc.
7. Inappropriate or non-approved connection fittings connecting products to sewer.
8. Non written approved modifications to the products.
9. Products used for incorrect applications, non-potable water etc.
10. Damage as a result of obstructions due to inadequate flushing of system before use and problems caused by water supply (including silt, corrosion and excess water pressure).
11. Service or repairs with non-standard replacement parts previously undertaken without Caroma written approval.

Continued...