

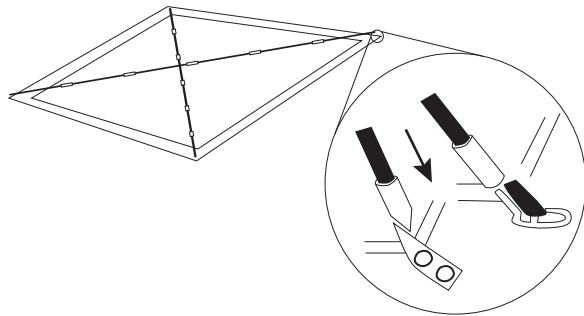


STEPS 1 - 3

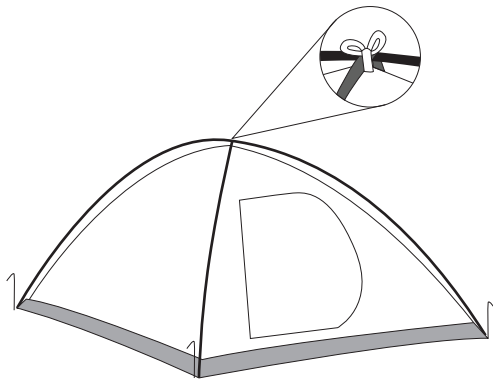
A Poles 
B Pole 



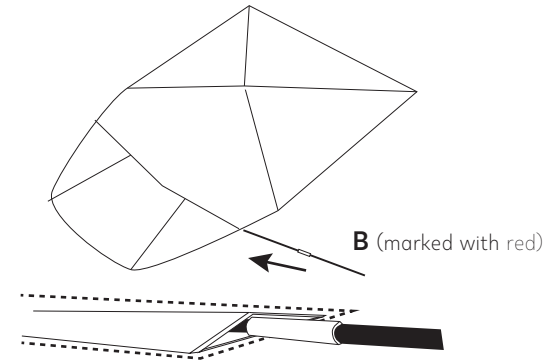
1. Clear your site making sure there are no sharp objects where you are going to pitch your tent. Try to get a site that is as flat as possible. Spread out the inner tent the round door is located at the front. The tent is symmetrical.

2. Assemble the 2 pole sections. (Pole A) Ensure that the poles are inserted fully into the steel connectors.

3. Thread both A poles through the pole sleeves that run diagonally across the center of the tent. Insert the ends of the poles into the pins located below each pole sleeve. Attach the c clips onto the poles

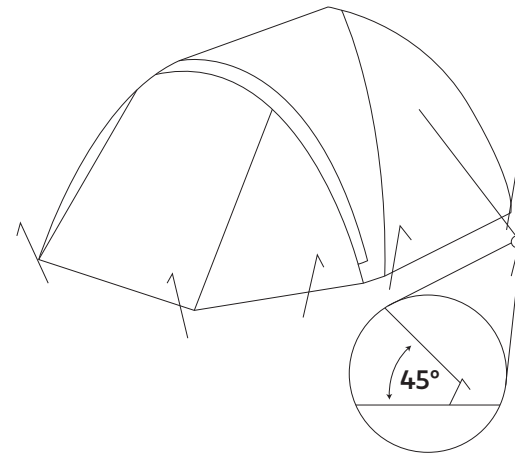


STEP 4



4. Take the flysheet and lay on the ground. Thread the B pole (marked with red) through the pole sleeves that run on either side of the main dome (also marked in red). Insert the ends of the poles into the pins. Attach the c clips onto the poles

STEPS 5 - 6



5. Attach the elastic loops over the existing inner pegs. Where there is no inner peg, peg the fly directly into the ground ensuring there is significant space between the inner and the fly

6. It is recommended that guy ropes are pegged out at all times and the windows are opened whenever possible to allow adequate ventilation. Try to have guy ropes at 45° angle to the ground .

PITCHING AND CARE INSTRUCTIONS

Ensure guy ropes are pegged out at all times during use.

1. Never pack your tent away wet. If you must take your tent down when wet, ensure that you dry your tent completely as soon as possible to prevent mildew forming.
2. If mildew does form on your tent wash off with warm water and soft brush to prevent further growth. Do not use detergents.
3. Do not use an open flame inside your tent. The fabric has been treated with a fire retardant but is in no way fire proof.
4. Clean all pegs and poles before storing.

WARNING

Camp safely. Follow these common-sense rules:

- **FABRIC MAY BURN IF LEFT IN CONTINUOUS CONTACT WITH ANY FLAME SOURCE**
- **RISK OF FIRE- DO NOT USE GAS OR FLAME SOURCES UNDER OR IN THIS TENT SUCH AS HEATING OR COOKING APPLIANCES**
- **DO NOT PLACE HOT APPLIANCES NEAR THE WALL, ROOF OR DOORS**
- **NEVER ALLOW CHILDREN TO PLAY NEAR HOT APPLIANCES**
- **NEVER BURN CHARCOAL INSIDE A TENT RISK OF CARBON MONOXIDE POISONING & FIRE KEEP EXITS CLEAR**
- **KEEP CHILDREN SUPERVISED WHILST USING THE TENT**
- **DO NOT SMOKE INSIDE OR AROUND THE TENT**
- **OBSERVE THE FIRE PRECAUTION AND SAFETY EVACUATION PROCEDURES ON THE SITE.**



Made in China



4 PERSON DOME TENT

Contains

- 5 x guy ropes
- 18 x pegs
- 3 x fibre glass poles
- 1 x tent with PE floor
- 16 x hooks
- 1 x fly

